

SHOWN WITHOUT
NSF END PANELS

SNEEZE GUARD TWO TIER WITH GLASS TOP MODEL SG2

GENERAL DESCRIPTION

TOP - 1 -1/4" STAINLESS STEEL SQUARE TUBING - ALL WELDED FRAME.

FRAME - 1-1/4" STAINLESS STEEL SQUARE TUBING. TO HAVE CLIPS FOR MOUNTING GLASS. ADDITIONAL UPRIGHT IS NEEDED FOR UNITS OVER 48". CONCEALED MOUNTING CLIPS.

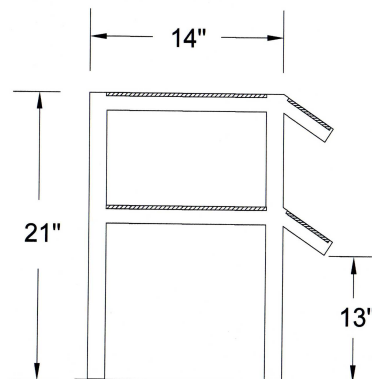
GLASS - 1/4" PLATE GLASS SNEEZE GUARD WITH MOUNTING CLIPS. 3/8" PLATE GLASS TOP. ALL GLASS TO HAVE STAINLESS STEEL CHANNELING ON ALL SIDES.

OPTIONS

- | | |
|---|---|
| <input type="checkbox"/> STAINLESS STEEL - BRUSHED _____ MIRROR _____ | <input type="checkbox"/> TOP - GRANITE - 3/4" _____ MARBLE 3/4" _____ |
| <input type="checkbox"/> POWDER COAT - COLOR _____ | <input type="checkbox"/> TOP - SILESTONE / ZODIAQ _____ |
| <input type="checkbox"/> BRASS - BRUSHED _____ MIRROR _____ | <input type="checkbox"/> NAME TAGS |
| <input type="checkbox"/> ALUMINUM - BRUSHED _____ MIRROR _____ | <input type="checkbox"/> TEMPERED GLASS |
| <input type="checkbox"/> LOW IRON CLEAR GLASS | <input type="checkbox"/> END PANELS - NSF |
| <input type="checkbox"/> SPECIAL WIDTH - _____ | <input type="checkbox"/> SPECIAL HEIGHT _____ |
| <input type="checkbox"/> MOUNTING - ABOVE COUNTER TOP | <input type="checkbox"/> MOUNTING - BELOW COUNTER TOP |

LIGHT/WARMER OPTIONS

- FLOURESCENT LIGHT - SLIMLINE LED LIGHT - SLIMLINE HEAT/LIGHT COMBO SLIMLINE



SECTION

MAXIMUM SPAN BETWEEN
LEGS - 48 INCHES

*APPROVED SHOP DRAWINGS REQUIRED
MEETS NSF 2014 STANDARDS