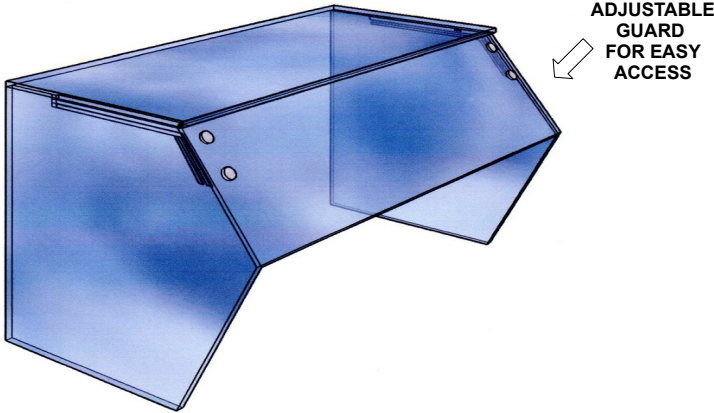


HUDSON

ITEM _____
 LENGTH _____
 QTY _____

U
V
B
O
N
D
E
D



**SNEEZE GUARD
 UV - BONDED
 ADJUSTABLE GUARD
 FOR EASY ACCESS
 MODEL SG - UV - A**

GENERAL DESCRIPTION

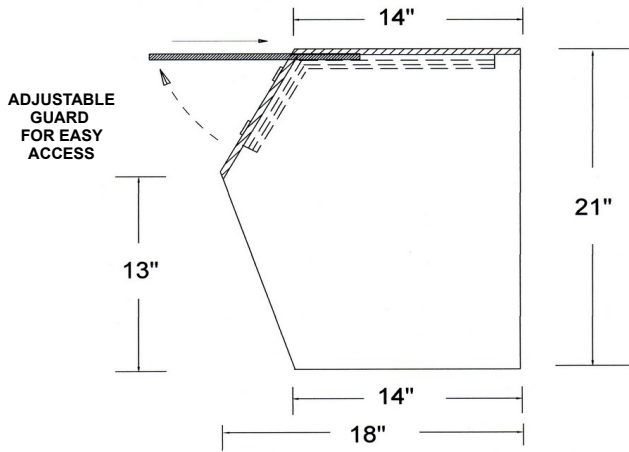
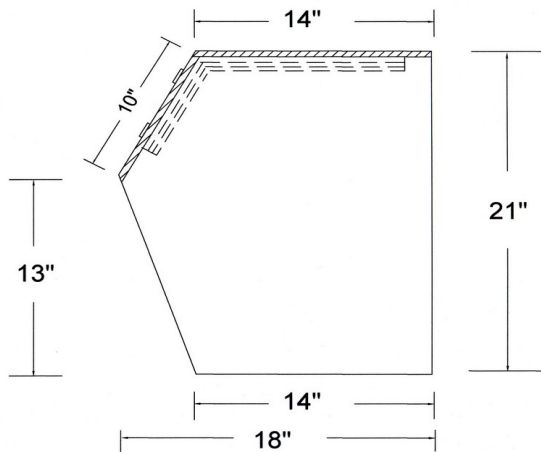
THE ALL GLASS PROTECTOR CASE IS MANUFACTURED BY HUDSON CONSTRUCTED FROM CLEAR TEMPERED GLASS THAT IS IS UV BONDED CREATING A STRONG CLEAN SEAM.
FRONT GUARD WILL SLIDE INTO TOP FOR EASY ACCESS

OPTIONS

- | | |
|--|--|
| <input type="checkbox"/> GLASS - 3/8" - MAXIMUM SPAN 72" | <input type="checkbox"/> GLASS - 1/2" - MAXIMUM SPAN - 96" |
| <input type="checkbox"/> LOW IRON CLEAR GLASS | <input type="checkbox"/> GRAY GLASS |
| <input type="checkbox"/> BRONZE GLASS | <input type="checkbox"/> GLASS - OTHER _____ |
| <input type="checkbox"/> SPECIAL WIDTH - _____ | <input type="checkbox"/> SPECIAL HEIGHT _____ |
| <input type="checkbox"/> MOUNTING - S/S CLAMPS | <input type="checkbox"/> MOUNTING - S/S CHANNEL |

LIGHT/WARMER OPTIONS

- FLOURESCENT LIGHT - SLIMLINE LED LIGHT - SLIMLINE HEAT/LIGHT COMBO SLIMLINE



*APPROVED SHOP DRAWINGS REQUIRED
 MEETS NSF 2014 STANDARDS

PATENT
 PENDING