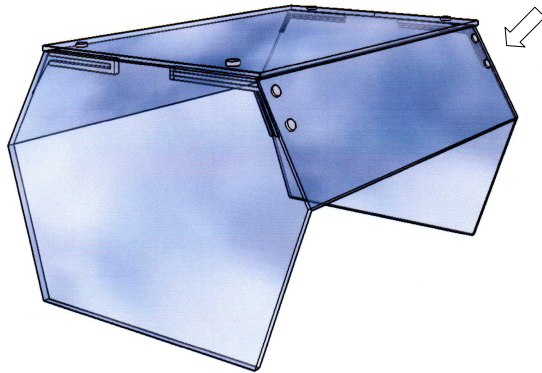


HUDSON

ITEM _____
LENGTH _____
QTY _____

A
L
L
G
L
A
S
S



ADJUSTABLE
GUARD
FOR EASY
ACCESS

SNEEZE GUARD ADJUSTABLE GUARDS FOR EASY ACCESS MODEL SGD - S

GENERAL DESCRIPTION

THE ALL GLASS PROTECTOR CASE IS MANUFACTURED BY HUDSON, INC
CONSTRUCTED FROM CLEAR TEMPERED GLASS THAT IS BOLTED TOGETHER
WITH A MINIMUM OF HARDWARE (KNOCKED DOWN FOR SHIPPING)
FRONT GLASS PANEL WILL SLIDE INTO TOP FOR EASY ACCESS

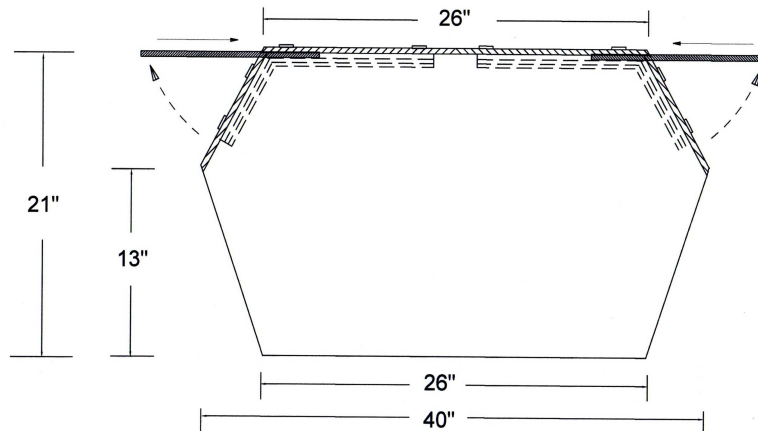
OPTIONS

- GLASS - 3/8" - MAXIMUM SPAN 72"
- LOW IRON CLEAR GLASS
- BRONZE GLASS
- SPECIAL WIDTH - _____
- MOUNTING - S/S CLAMPS

- GLASS - 1/2" - MAXIMUM SPAN - 96"
- GRAY GLASS
- GLASS - OTHER _____
- SPECIAL HEIGHT _____
- MOUNTING - S/S CHANNEL

LIGHT/WARMER OPTIONS

- FLOURESCENT LIGHT - SLIMLINE
- LED LIGHT - SLIMLINE
- HEAT/LIGHT COMBO SLIMLINE



ADJUSTABLE
GUARD
FOR EASY
ACCESS

*APPROVED SHOP DRAWINGS REQUIRED
MEETS NSF 2014 STANDARDS

PATENT
PENDING

1-862-226-9775 - SALES@HUDSONSG.COM