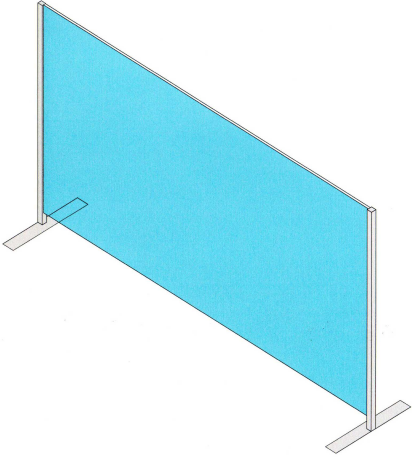


**HUDSON**

**PREMIUM  
ANTI-VIRUS**

ITEM \_\_\_\_\_  
LENGTH \_\_\_\_\_  
QTY \_\_\_\_\_

**A  
V  
S  
E  
R  
I  
E  
S**



**VERTICAL SHIELD  
PORTABLE  
MODEL VS-PT-AV**



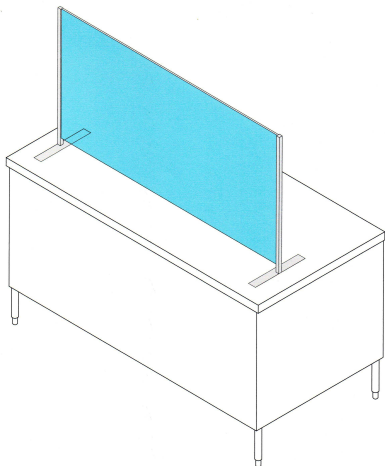
**HEIGHT OF SHIELD TO BE 40"  
TO MEET 76" SUGGESTED  
HEIGHT REQUIREMENTS  
(COUNTER HEIGHT OF 36"  
PLUS 40" = 76"**

**GENERAL DESCRIPTION**

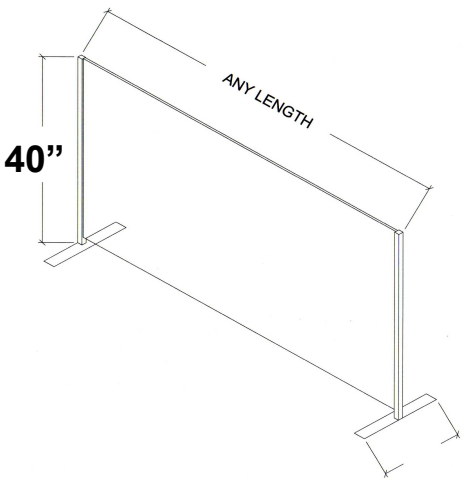
**TUBING – STAINLESS STEEL – 1" SQUARE - BRUSHED FINISH**  
**GLASS - 3/8" TEMPERED MOUNTED TO TUBING AND CROSS MEMBERS**  
**MOUNTING – STAINLESS STEEL FLATBAR FOR PORTABILITY**

**OPTIONS**

- PLEXIGLASS
- TUBING – 1" ROUND \_\_\_\_\_ OTHER \_\_\_\_\_
- BRASS - BRUSHED \_\_\_\_\_ MIRROR \_\_\_\_\_
- CRATED
- SPECIAL WIDTH \_\_\_\_\_ SPECIAL HEIGHT \_\_\_\_\_
- GLASS - FROSTED
- LOW IRON CLEAR GLASS
- POWDER COAT - COLOR \_\_\_\_\_



MAXIMUM SPAN BETWEEN  
LEGS – 48 INCHES



**\*APPROVED SHOP DRAWINGS REQUIRED  
MEETS NSF 2014 STANDARDS**

© 2020

**862-226-9775 - SALES@HUDSONSG.COM**