

**SNEEZE GUARD
 UV - BONDED
 MODEL SG - UV**

GENERAL DESCRIPTION

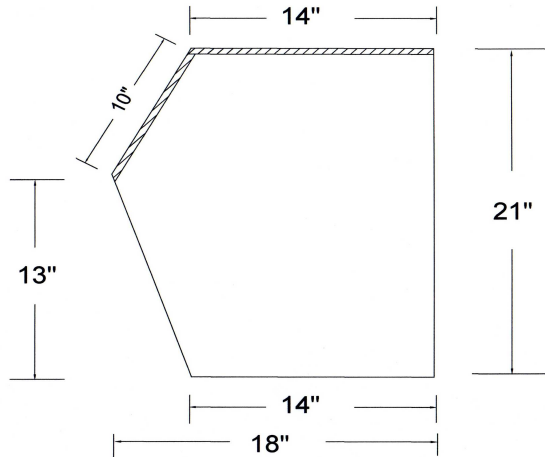
THE ALL GLASS PROTECTOR CASE IS MANUFACTURED BY HUDSON CONSTRUCTED FROM CLEAR TEMPERED GLASS THAT IS IS UV BONDED CREATING A STRONG CLEAN SEAM. METAL FRAMES, BRACKETS AND POSTS ARE NO LONGER NEEDED

OPTIONS

- | | |
|----------------------------------------------------------|------------------------------------------------------------|
| <input type="checkbox"/> GLASS - 3/8" - MAXIMUM SPAN 72" | <input type="checkbox"/> GLASS - 1/2" - MAXIMUM SPAN - 96" |
| <input type="checkbox"/> LOW IRON CLEAR GLASS | <input type="checkbox"/> GRAY GLASS |
| <input type="checkbox"/> BRONZE GLASS | <input type="checkbox"/> GLASS - OTHER _____ |
| <input type="checkbox"/> SPECIAL WIDTH - _____ | <input type="checkbox"/> SPECIAL HEIGHT _____ |
| <input type="checkbox"/> MOUNTING - S/S CLAMPS | <input type="checkbox"/> MOUNTING - S/S CHANNEL |

LIGHT/WARMER OPTIONS

- FLOURESCENT LIGHT - SLIMLINE LED LIGHT - SLIMLINE HEAT/LIGHT COMBO SLIMLINE



*APPROVED SHOP DRAWINGS REQUIRED
 MEETS NSF 2014 STANDARDS