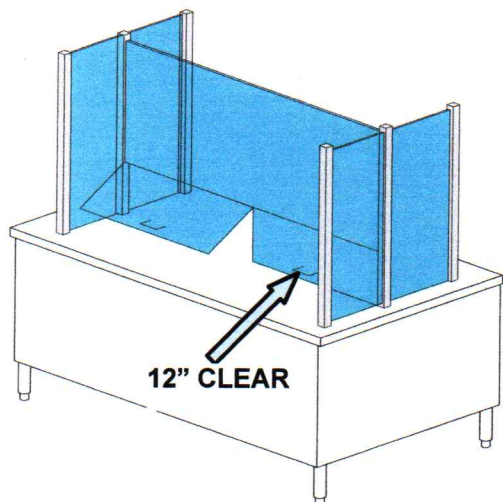


HUDSON

PREMIUM ANTI-VIRUS

LENGTH _____
QTY _____

A
V
S
E
R
I
E
S



**ENCLOSURE SURROUND
WITH HINGED PLEXI PANELS
FOR ACCESS
MODEL ENCL-P-AV**

**HEIGHT OF SHIELD TO BE 40"
TO MEET 76" SUGGESTED
HEIGHT REQUIREMENTS
(COUNTER HEIGHT OF 36"
PLUS 40" = 76"**

GENERAL DESCRIPTION

TUBING - STAINLESS STEEL - 1" SQUARE - BRUSHED FINISH

GLASS - 3/8" TEMPERED MOUNTED TO TUBING AND CROSS MEMBERS

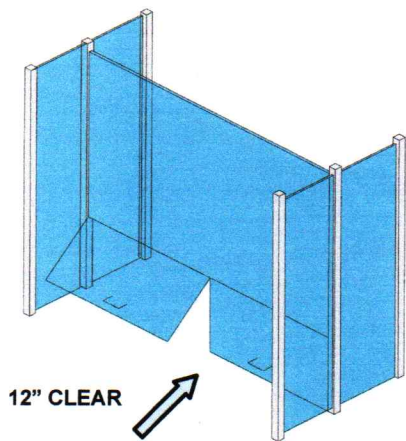
MOUNTING - BELOW OR ABOVE COUNTER WITH CONCEALED CLIPS OR FLANGES

PANELS - 8" HIGH HINGED 3/8" PLEXI PANELS WITH S/S HANDLES FOR ACCESS

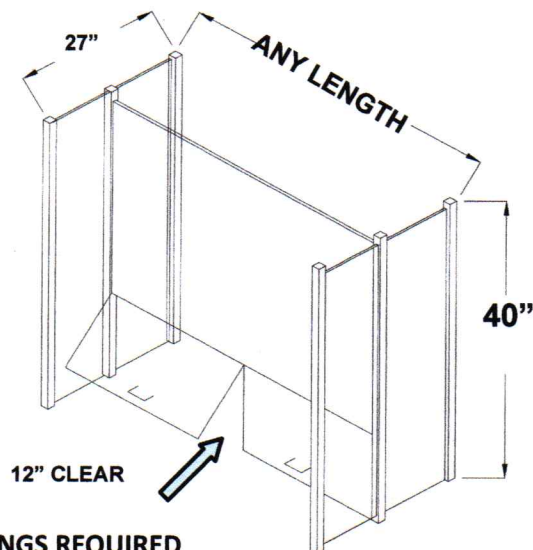
OPTIONS

- PLEXIGLASS
- TUBING - 1" ROUND _____ OTHER _____
- 8" CLEAR _____ OTHER _____
- CRATED
- MOUNTING - ABOVE COUNTER TOP - FLANGES

- SPECIAL WIDTH _____ SPECIAL HEIGHT _____
- GLASS - FROSTED
- LOW IRON CLEAR GLASS
- POWDER COAT - COLOR _____
- MOUNTING - BELOW COUNTER TOP



MAXIMUM SPAN BETWEEN
LEGS - 48 INCHES



***APPROVED SHOP DRAWINGS REQUIRED
MEETS NSF 2014 STANDARDS**

© 2020

862-226-9775 - SALES@HUDSONSG.COM