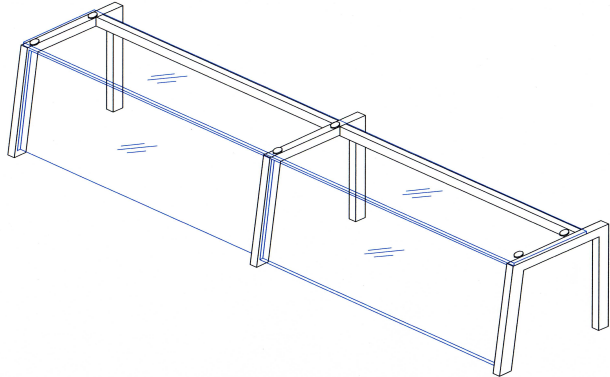


HUDSON

ITEM _____
 LENGTH _____
 QTY _____

ADJUSTABLE



ADJUSTABLE PROTECTOR CASE SNEEZE GUARD COMBO MODEL PCA

SHOWN WITHOUT
 NSF END PANELS

GENERAL DESCRIPTION

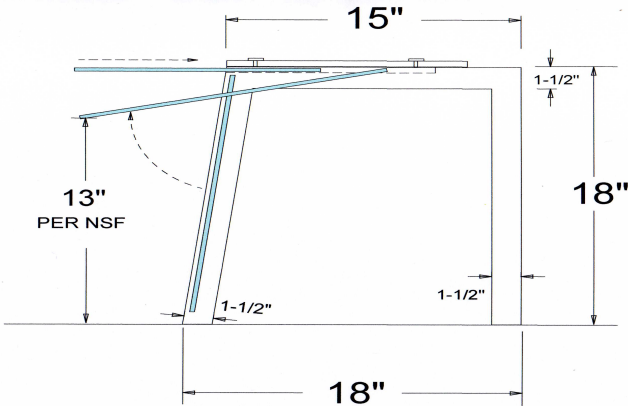
- TUBING** - STAINLESS STEEL - 1-1/2" X 1" - BRUSHED FINISH
- GLASS** - TOP 3/8" TEMPERED - SNEEZE GUARD 1/4" TEMPERED
- ➡ **FRONT PANEL TO SLIDE INTO TOP FOR SELF SERVICE**
- ENDS** - 3/8" TEMPERED GLASS - FOR NSF
- MOUNTING** - BELOW OR ABOVE COUNTER WITH CONCEALED CLIPS

OPTIONS

- | | |
|---|---|
| <input type="checkbox"/> STAINLESS STEEL - BRUSHED _____ MIRROR _____ | <input type="checkbox"/> TOP - GRANITE - 3/4" _____ MARBLE 3/4" _____ |
| <input type="checkbox"/> POWDER COAT - COLOR _____ | <input type="checkbox"/> TOP - SILESTONE / ZODIAQ _____ |
| <input type="checkbox"/> BRASS - BRUSHED _____ MIRROR _____ | <input type="checkbox"/> FRONT GLASS - FROSTED |
| <input type="checkbox"/> ALUMINUM - BRUSHED _____ MIRROR _____ | <input type="checkbox"/> TOP - TEMPERED GLASS - 1/2" |
| <input type="checkbox"/> CHROME _____ | <input type="checkbox"/> FRONT PANEL - TEMPERED GLASS - 3/8" |
| <input type="checkbox"/> LOW IRON CLEAR GLASS | <input type="checkbox"/> END PANELS - NSF REQUIREMENT |
| <input type="checkbox"/> SPECIAL WIDTH - _____ SPECIAL HEIGHT _____ | <input type="checkbox"/> 90 DEGREE FRONT ANGLE VS 10 DEGREES |
| <input type="checkbox"/> MOUNTING - ABOVE COUNTER TOP | <input type="checkbox"/> MOUNTING - BELOW COUNTER TOP |

LIGHT/WARMER OPTIONS

- FLOURESCENT LIGHT - SLIMLINE LED LIGHT - SLIMLINE HEAT/LIGHT COMBO SLIMLINE



MAXIMUM SPAN BETWEEN
 LEGS - 76 INCHES

*APPROVED SHOP DRAWINGS REQUIRED

MEETS NSF 2014 STANDARDS

PATENT PENDING