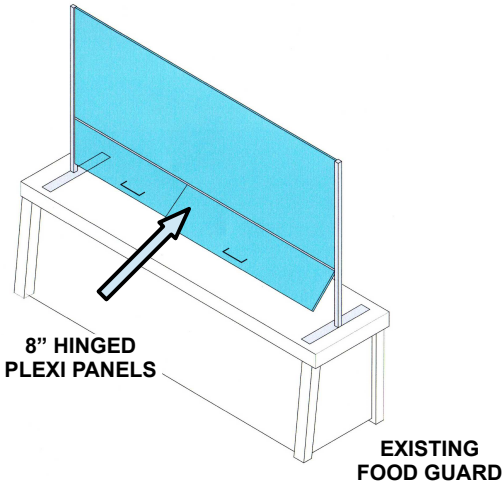


HUDSON

PREMIUM ANTI-VIRUS

ITEM _____
LENGTH _____
QTY _____

A
V
S
E
R
I
E
S



VERTICAL SHIELD PORTABLE WITH HINGED PLEXI PANELS MODEL VS-PTCP-AV

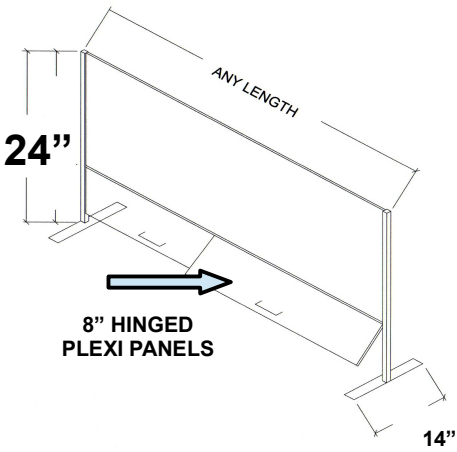
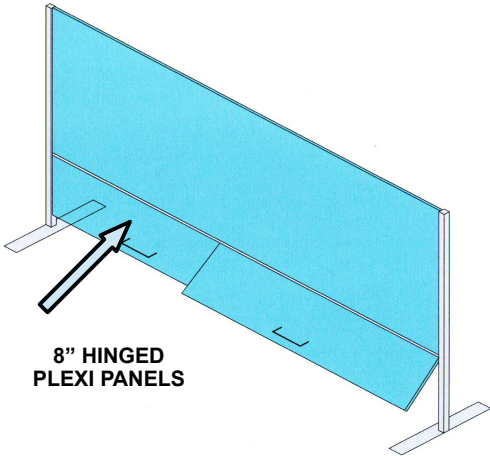
HEIGHT OF SHIELD TO BE 24"
PROTECTING SERVER AND
WITH AN 8" OPENING FOR
PASS THRU

GENERAL DESCRIPTION

- TUBING** – STAINLESS STEEL – 1" SQUARE - BRUSHED FINISH
- GLASS** - 3/8" TEMPERED MOUNTED TO TUBING AND CROSS MEMBERS
- MOUNTING** – STAINLESS STEEL FLATBAR FOR PORTABILITY
- PANELS** – 8" HIGH HINGED 3/8" PLEXI PANELS WITH S/S HANDLES FOR ACCESS

OPTIONS

- PLEXIGLASS
- TUBING – 1" ROUND _____ OTHER _____
- 6" CLEAR _____ OTHER _____
- CRATED
- MOUNTING – ABOVE COUNTER TOP – FLANGES
- SPECIAL WIDTH _____ SPECIAL HEIGHT _____
- GLASS - FROSTED
- LOW IRON CLEAR GLASS
- POWDER COAT - COLOR _____
- MOUNTING – BELOW COUNTER TOP



MAXIMUM SPAN BETWEEN LEGS – 48 INCHES

*APPROVED SHOP DRAWINGS REQUIRED
MEETS NSF 2014 STANDARDS

© 2020

862-226-9775 - SALES@HUDSONSG.COM