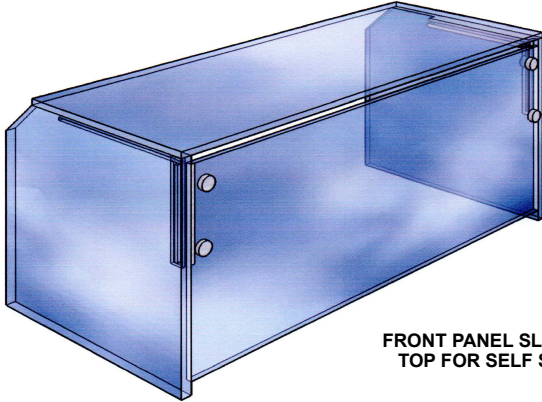


HUDSON

ITEM _____
LENGTH _____
QTY _____

UV
B
O
N
D
E
D



**PROTECTOR CASE
UV - BONDED
ADJUSTABLE FRONT FOR
SELF SERVICE
MODEL PC - UV - A**

FRONT PANEL SLIDES INTO
TOP FOR SELF SERVICE

GENERAL DESCRIPTION

THE ALL GLASS PROTECTOR CASE IS MANUFACTURED BY HUDSON
CONSTRUCTED FROM CLEAR TEMPERED GLASS THAT IS IS UV BONDED
CREATING A STRONG CLEAN SEAM.
FRONT GLASS PANEL WILL SLIDE INTO TOP FOR SELF SERVICE

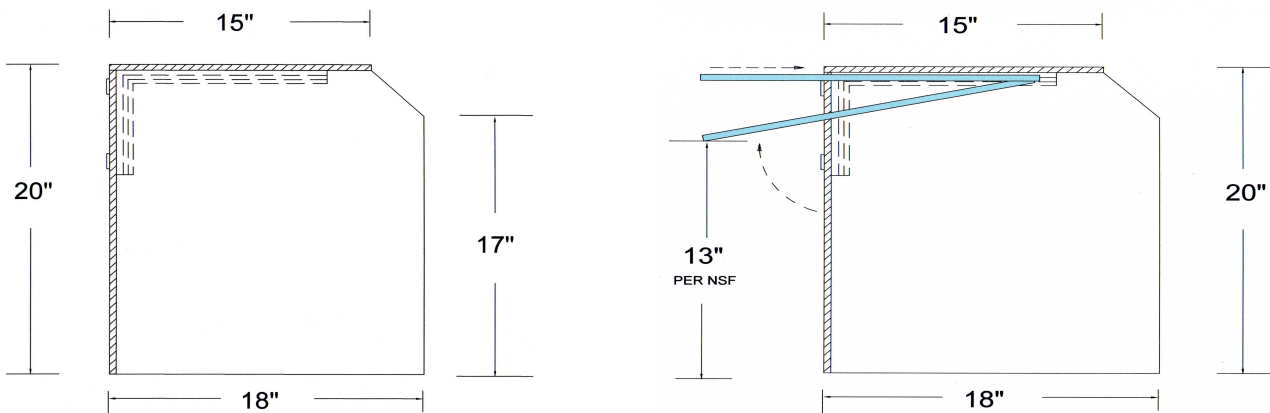
OPTIONS

- GLASS - 3/8" - MAXIMUM SPAN 72"
- LOW IRON CLEAR GLASS
- BRONZE GLASS
- 10 DEGREE ANGLE FRONT
- SPECIAL WIDTH - _____
- MOUNTING - S/S CLAMPS

- GLASS - 1/2" - MAXIMUM SPAN - 96"
- FRONT GLASS - FROSTED
- GRAY GLASS
- GLASS - OTHER _____
- SPECIAL HEIGHT _____
- MOUNTING - S/S CHANNEL

LIGHT/WARMER OPTIONS

- FLOURESCENT LIGHT - SLIMLINE
- LED LIGHT - SLIMLINE
- HEAT/LIGHT COMBO SLIMLINE



*APPROVED SHOP DRAWINGS REQUIRED
MEETS NSF 2014 STANDARDS

PATENT
PENDING

1-862-226-9775 - SALES@HUDSONSG.COM