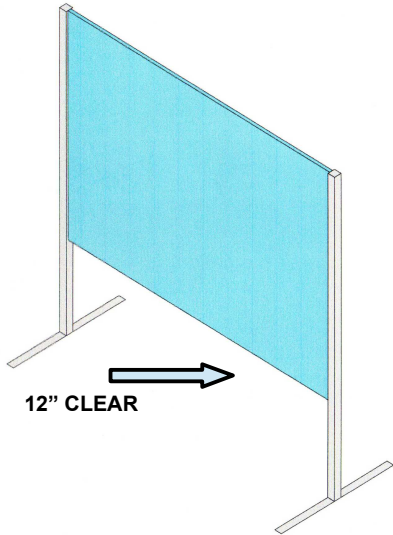


HUDSON

PREMIUM ANTI-VIRUS

ITEM _____
LENGTH _____
QTY _____

AV
SERIES



**VERTICAL SHIELD
PORTABLE WITH PASS THRU
ACCESS - 12"
MODEL VS-PTA-AV**

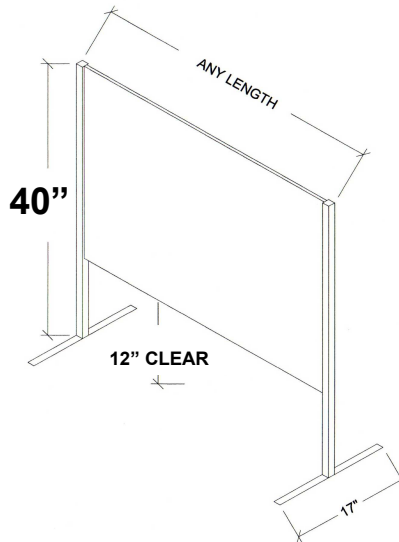
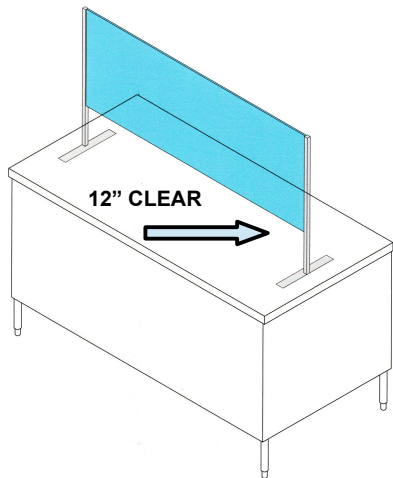
**HEIGHT OF SHIELD TO BE 40"
TO MEET 76" SUGGESTED
HEIGHT REQUIREMENTS
(COUNTER HEIGHT OF 36"
PLUS 40" = 76"**

GENERAL DESCRIPTION

TUBING – STAINLESS STEEL – 1" SQUARE - BRUSHED FINISH
GLASS - 3/8" TEMPERED MOUNTED TO TUBING AND CROSS MEMBERS
MOUNTING – STAINLESS STEEL FLATBAR FOR PORTABILITY

OPTIONS

- PLEXIGLASS
- TUBING – 1" ROUND _____ OTHER _____
- 8" CLEAR _____ OTHER _____
- CRATED
- SPECIAL WIDTH _____ SPECIAL HEIGHT _____
- GLASS - FROSTED
- LOW IRON CLEAR GLASS
- POWDER COAT - COLOR _____



MAXIMUM SPAN BETWEEN
LEGS – 48 INCHES

***APPROVED SHOP DRAWINGS REQUIRED
MEETS NSF 2014 STANDARDS**

© 2020

862-226-9775 - SALES@HUDSONSG.COM