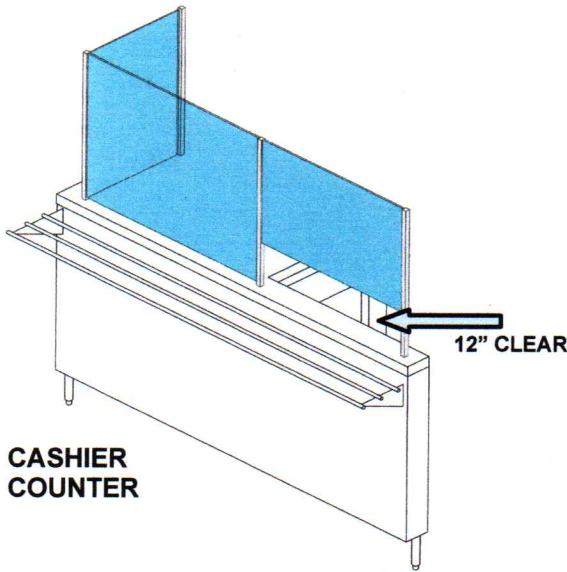


HUDSON

PREMIUM ANTI-VIRUS

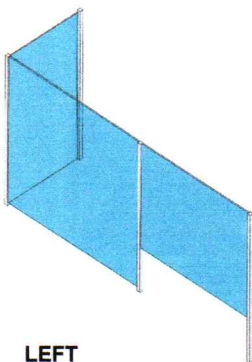
LENGTH _____
QTY _____**A
V
S
E
R
I
E
S****VERTICAL SHIELD & END PANEL
WITH PASS THRU ACCESS - 12\"/>
MODEL VS-CA-AV****HEIGHT OF SHIELD TO BE 40\"/>
TO MEET 76\" SUGGESTED
HEIGHT REQUIREMENTS
(COUNTER HEIGHT OF 36\"
PLUS 40\" = 76\"**

GENERAL DESCRIPTION

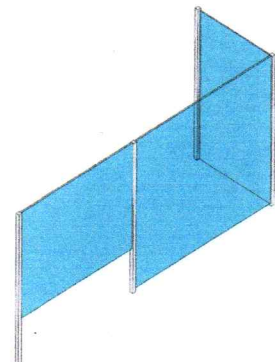
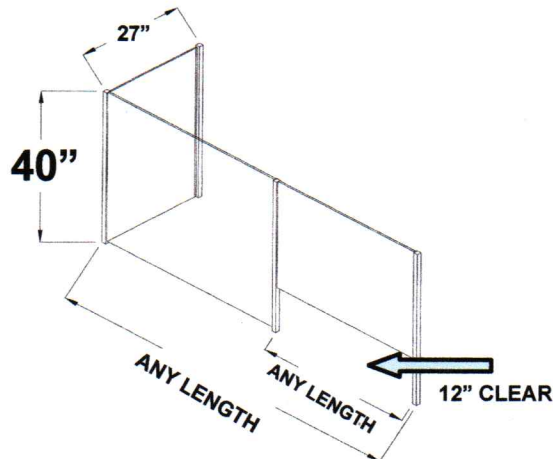
TUBING - STAINLESS STEEL - 1" SQUARE - BRUSHED FINISH**GLASS - 3/8" TEMPERED MOUNTED TO TUBING AND CROSS MEMBERS****MOUNTING - BELOW OR ABOVE COUNTER WITH CONCEALED CLIPS OR FLANGES**

OPTIONS

- | | |
|---|---|
| <input type="checkbox"/> PLEXIGLASS | <input type="checkbox"/> SPECIAL WIDTH _____ SPECIAL HEIGHT _____ |
| <input type="checkbox"/> TUBING - 1" ROUND _____ OTHER _____ | <input type="checkbox"/> GLASS - FROSTED |
| <input type="checkbox"/> 8" CLEAR _____ OTHER _____ | <input type="checkbox"/> LOW IRON CLEAR GLASS |
| <input type="checkbox"/> CRATED | <input type="checkbox"/> POWDER COAT - COLOR _____ |
| <input type="checkbox"/> MOUNTING - ABOVE COUNTER TOP - FLANGES | <input type="checkbox"/> MOUNTING - BELOW COUNTER TOP |



LEFT



RIGHT

MAXIMUM SPAN BETWEEN
LEGS - 48 INCHES***APPROVED SHOP DRAWINGS REQUIRED
MEETS NSF 2014 STANDARDS**

© 2020

862-226-9775 - SALES@HUDSONSG.COM