

**PROTECTOR CASE
 WITH GLASS TOP
 ROUND TUBING
 MODEL PC-GR**

GENERAL DESCRIPTION

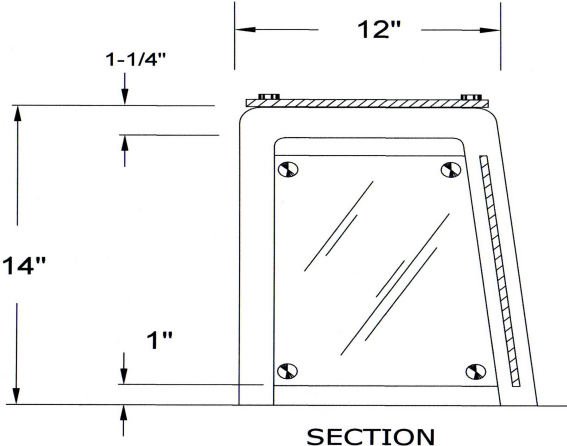
TOP - 3/8" PLATE GLASS WITH POLISHED EDGES
FRAME - 1-1/4" STAINLESS STEEL ROUND TUBING. FRONT SLANTED AT 10 DEGREES. POSTS TO HAVE TABS WELDED WITH STUDS TO SECURE GLASS WITH DECORATIVE BUTTONS. ADDITIONAL UPRIGHT IS NEEDED FOR UNITS OVER 48". CONCEALED MOUNTING CLIPS.
GLASS - FRONT AND ENDS GLASS TO BE 1/4" PLATE GLASS POLISHED ON ALL SIDES.

OPTIONS

- | | |
|---|---|
| <input type="checkbox"/> STAINLESS STEEL - BRUSHED _____ MIRROR _____ | <input type="checkbox"/> TOP - GRANITE - 3/4" _____ MARBLE 3/4" _____ |
| <input type="checkbox"/> POWDER COAT - COLOR _____ | <input type="checkbox"/> TOP - SILESTONE / ZODIAQ _____ |
| <input type="checkbox"/> BRASS - BRUSHED _____ MIRROR _____ | <input type="checkbox"/> FRONT GLASS - FROSTED |
| <input type="checkbox"/> ALUMINUM - BRUSHED _____ MIRROR _____ | <input type="checkbox"/> TEMPERED GLASS |
| <input type="checkbox"/> LOW IRON CLEAR GLASS | <input type="checkbox"/> 90 DEGREE FRONT ANGLE VS 10 DEGREES |
| <input type="checkbox"/> SPECIAL WIDTH - _____ | <input type="checkbox"/> SPECIAL HEIGHT _____ |
| <input type="checkbox"/> MOUNTING - ABOVE COUNTER TOP | <input type="checkbox"/> MOUNTING - BELOW COUNTER TOP |

LIGHT/WARMER OPTIONS

- FLOURESCENT LIGHT - SLIMLINE LED LIGHT - SLIMLINE HEAT/LIGHT COMBO SLIMLINE



MAXIMUM SPAN BETWEEN LEGS - 48 INCHES

*APPROVED SHOP DRAWINGS REQUIRED
 MEETS NSF 2014 STANDARDS