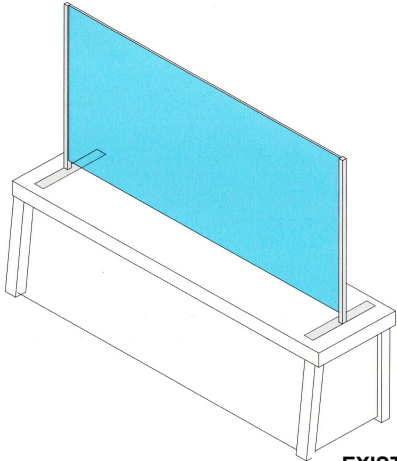


HUDSON

**PREMIUM
ANTI-VIRUS**

ITEM _____
LENGTH _____
QTY _____

**A
V
S
E
R
I
E
S**



EXISTING
FOOD GUARD

**VERTICAL SHIELD
PORTABLE OVER EXISTING
FOOD GUARDS
MODEL VS-PTC-AV**

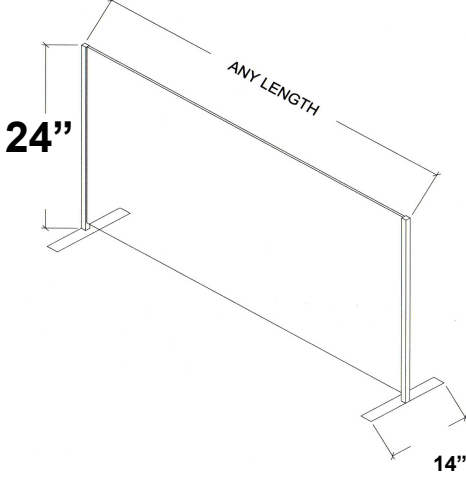
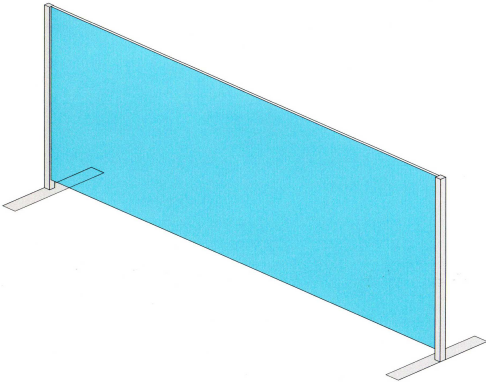
**HEIGHT OF SHIELD TO BE 24"
PROTECTING SERVER**

GENERAL DESCRIPTION

TUBING – STAINLESS STEEL – 1" SQUARE - BRUSHED FINISH
GLASS - 3/8" TEMPERED MOUNTED TO TUBING AND CROSS MEMBERS
MOUNTING – STAINLESS STEEL FLATBAR FOR PORTABILITY

OPTIONS

- PLEXIGLASS
- TUBING – 1" ROUND _____ OTHER _____
- BRASS - BRUSHED _____ MIRROR _____
- CRATED
- MOUNTING – ABOVE COUNTER TOP – FLANGES
- SPECIAL WIDTH _____ SPECIAL HEIGHT _____
- GLASS - FROSTED
- LOW IRON CLEAR GLASS
- POWDER COAT - COLOR _____
- MOUNTING – BELOW COUNTER TOP



MAXIMUM SPAN BETWEEN
LEGS – 48 INCHES

***APPROVED SHOP DRAWINGS REQUIRED
MEETS NSF 2014 STANDARDS**

© 2020

862-226-9775 - SALES@HUDSONSG.COM