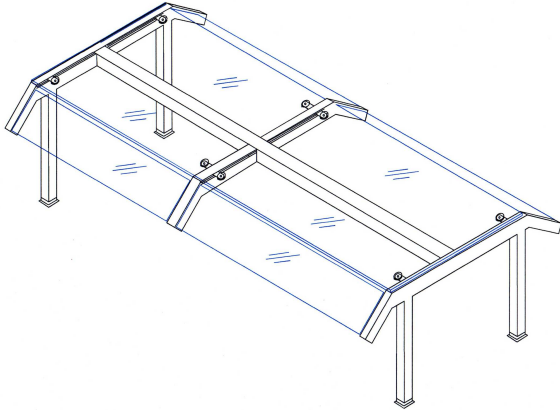


# HUDSON

ITEM \_\_\_\_\_  
LENGTH \_\_\_\_\_  
QTY \_\_\_\_\_

A  
D  
J  
U  
S  
T  
A  
B  
L  
E



## ADJUSTABLE SNEEZE GUARD DOUBLE SERVICE MODEL SGDA

SHOWN WITHOUT  
NSF END PANELS

### GENERAL DESCRIPTION

**TUBING - STAINLESS STEEL - 1-1/2" X 1" - BRUSHED FINISH**

**GLASS - TOP 3/8" TEMPERED - SNEEZE GUARD 1/4" TEMPERED**

➡ **SNEEZE GUARD TO SLIDE INTO TOP FOR CLEANING**

**ENDS - 3/8" TEMPERED GLASS - FOR NSF**

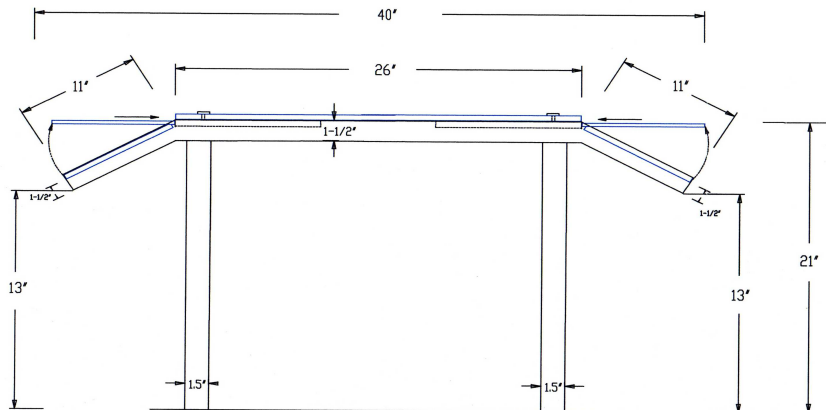
**MOUNTING - BELOW OR ABOVE COUNTER WITH CONCEALED CLIPS**

### OPTIONS

- |   |   |
|---|---|
| <input type="checkbox"/> STAINLESS STEEL - BRUSHED _____ MIRROR _____ | <input type="checkbox"/> TOP - GRANITE - 3/4" _____ MARBLE 3/4" _____ |
| <input type="checkbox"/> POWDER COAT - COLOR _____                    | <input type="checkbox"/> TOP - SILESTONE / ZODIAQ _____               |
| <input type="checkbox"/> BRASS - BRUSHED _____ MIRROR _____           | <input type="checkbox"/> TOP - LEXAN _____ CORIAN _____               |
| <input type="checkbox"/> ALUMINUM - BRUSHED _____ MIRROR _____        | <input type="checkbox"/> TOP - TEMPERED GLASS 1/2"                    |
| <input type="checkbox"/> CHROME _____                                 | <input type="checkbox"/> SNEEZE GUARD - TEMPERED GLASS - 3/8"         |
| <input type="checkbox"/> LOW IRON CLEAR GLASS                         | <input type="checkbox"/> END PANELS - NSF REQUIREMENT                 |
| <input type="checkbox"/> SPECIAL WIDTH - _____                        | <input type="checkbox"/> SPECIAL HEIGHT - _____                       |
| <input type="checkbox"/> MOUNTING - ABOVE COUNTER TOP                 | <input type="checkbox"/> MOUNTING - BELOW COUNTER TOP                 |

### LIGHT/WARMER OPTIONS

- FLOURESCENT LIGHT - SLIMLINE     LED LIGHT - SLIMLINE     HEAT/LIGHT COMBO SLIMLINE



MAXIMUM SPAN BETWEEN  
LEGS - 76 INCHES

\*APPROVED SHOP DRAWINGS REQUIRED

MEETS NSF 2014 STANDARDS

PATENT PENDING