

**SNEEZE GUARD  
DOUBLE SERVICE  
UV - BONDED  
MODEL SGD - UV**

## GENERAL DESCRIPTION

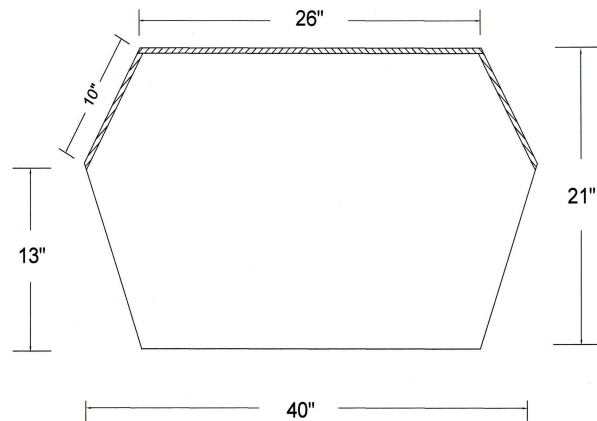
THE ALL GLASS PROTECTOR CASE IS MANUFACTURED BY HUDSON, INC  
CONSTRUCTED FROM CLEAR TEMPERED GLASS THAT IS IS UV BONDED  
CREATING A STRONG CLEAN SEAM.  
METAL FRAMES, BRACKETS AND POSTS ARE NO LONGER NEEDED

## OPTIONS

- |  |  |
|--|--|
| <input type="checkbox"/> GLASS - 3/8" - MAXIMUM SPAN 72" | <input type="checkbox"/> GLASS - 1/2" - MAXIMUM SPAN - 96" |
| <input type="checkbox"/> LOW IRON CLEAR GLASS            | <input type="checkbox"/> GRAY GLASS                        |
| <input type="checkbox"/> BRONZE GLASS                    | <input type="checkbox"/> GLASS - OTHER _____               |
| <input type="checkbox"/> SPECIAL WIDTH - _____           | <input type="checkbox"/> SPECIAL HEIGHT _____              |
| <input type="checkbox"/> MOUNTING - S/S CLAMPS           | <input type="checkbox"/> MOUNTING - S/S CHANNEL            |

## LIGHT/WARMER OPTIONS

- FLOURESCENT LIGHT - SLIMLINE     LED LIGHT - SLIMLINE     HEAT/LIGHT COMBO SLIMLINE



\* APPROVED SHOP DRAWINGS REQUIRED  
MEETS NSF 2014 STANDARDS