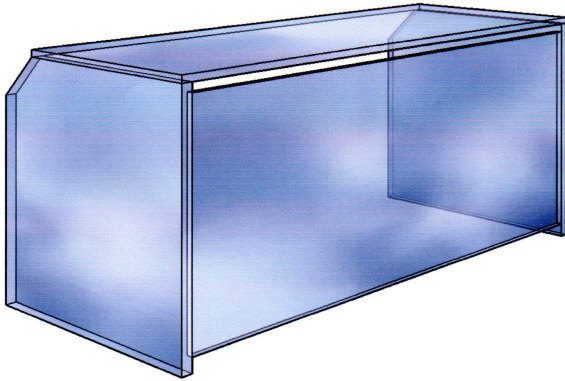


HUDSON

ITEM _____
LENGTH _____
QTY _____

U
V
B
O
N
D
E
D



**PROTECTOR CASE
UV - BONDED
MODEL PC - UV**

GENERAL DESCRIPTION

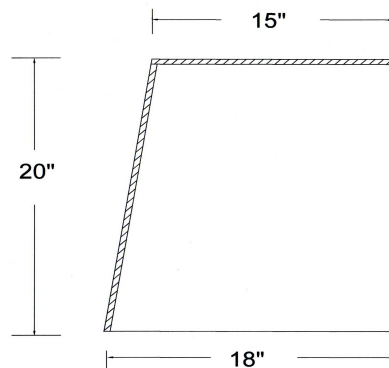
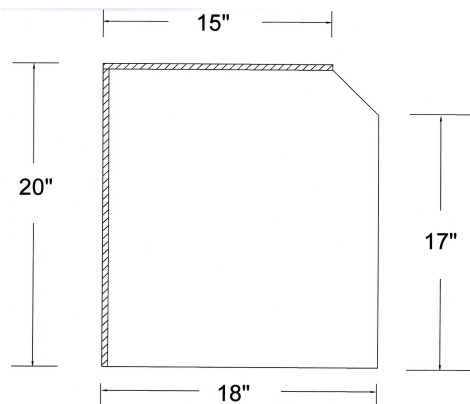
THE ALL GLASS PROTECTOR CASE IS MANUFACTURED BY HUDSON
CONSTRUCTED FROM CLEAR TEMPERED GLASS THAT IS IS UV BONDED
CREATING A STRONG CLEAN SEAM.
METAL FRAMES, BRACKETS AND POSTS ARE NO LONGER NEEDED

OPTIONS

- | | |
|--|--|
| <input type="checkbox"/> GLASS - 3/8" - MAXIMUM SPAN 72" | <input type="checkbox"/> GLASS - 1/2" - MAXIMUM SPAN - 96" |
| <input type="checkbox"/> LOW IRON CLEAR GLASS | <input type="checkbox"/> FRONT GLASS - FROSTED |
| <input type="checkbox"/> BRONZE GLASS | <input type="checkbox"/> GRAY GLASS |
| <input type="checkbox"/> 10 DEGREE ANGLE FRONT | <input type="checkbox"/> GLASS - OTHER _____ |
| <input type="checkbox"/> SPECIAL WIDTH - _____ | <input type="checkbox"/> SPECIAL HEIGHT _____ |
| <input type="checkbox"/> MOUNTING - S/S CLAMPS | <input type="checkbox"/> MOUNTING - S/S CHANNEL |

LIGHT/WARMER OPTIONS

- FLOURESCENT LIGHT - SLIMLINE LED LIGHT - SLIMLINE HEAT/LIGHT COMBO SLIMLINE



*APPROVED SHOP DRAWINGS REQUIRED
MEETS NSF 2014 STANDARDS

OPTIONAL
10 DEGREE
ANGLE FRONT

1-862-226-9775 - SALES@HUDSONSG.COM