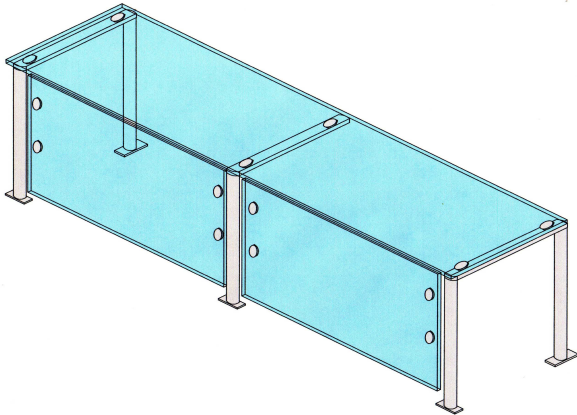


HUDSON

PREMIUM

ITEM _____
 LENGTH _____
 QTY _____

S
T
A
N
D
A
R
D



PROTECTOR CASE MODEL PC-P

SHOWN WITHOUT
NSF END PANELS

GENERAL DESCRIPTION

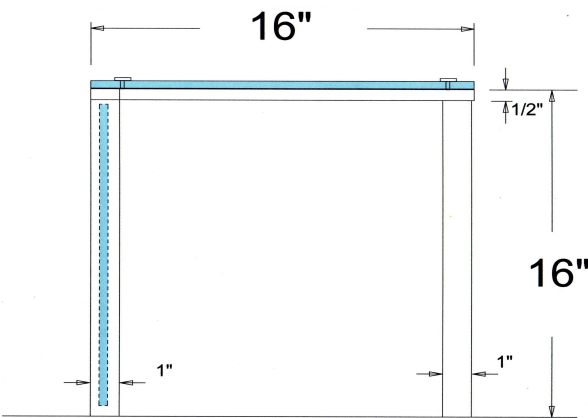
- TUBING** – STAINLESS STEEL – 1” ROUND - BRUSHED FINISH
- GLASS** - TOP 3/8" TEMPERED - SNEEZE GUARD 1/4" TEMPERED
- PREMIUM PROTECTOR CASE – NON ADJUSTABLE**
- ENDS** – 3/8" TEMPERED GLASS – FOR NSF
- MOUNTING** - BELOW OR ABOVE COUNTER WITH CONCEALED CLIPS OR FLANGES

OPTIONS

- | | |
|---|---|
| <input type="checkbox"/> STAINLESS STEEL – MIRROR _____ | <input type="checkbox"/> TOP - GRANITE - 3/4" ___ MARBLE 3/4" _____ |
| <input type="checkbox"/> TUBING – 1” SQUARE _____ OTHER _____ | <input type="checkbox"/> TOP – SILESTONE / ZODIAQ _____ |
| <input type="checkbox"/> BRASS - BRUSHED _____ MIRROR _____ | <input type="checkbox"/> FRONT GLASS - FROSTED |
| <input type="checkbox"/> ALUMINUM - BRUSHED _____ MIRROR _____ | <input type="checkbox"/> TOP – TEMPERED GLASS – 1/2” |
| <input type="checkbox"/> POWDER COAT - COLOR _____ | <input type="checkbox"/> FRONT PANEL – TEMPERED GLASS – 3/8” |
| <input type="checkbox"/> LOW IRON CLEAR GLASS | <input type="checkbox"/> END PANELS - NSF REQUIREMENT |
| <input type="checkbox"/> SPECIAL WIDTH - _____ SPECIAL HEIGHT _____ | <input type="checkbox"/> 10 DEGREE FRONT ANGLE VS 90 DEGREES |
| <input type="checkbox"/> MOUNTING – ABOVE COUNTER TOP | <input type="checkbox"/> MOUNTING – BELOW COUNTER TOP |

LIGHT/WARMER OPTIONS

- FLOURESCENT LIGHT – SLIMLINE LED LIGHT – SLIMLINE HEAT/LIGHT COMBO SLIMLINE



MAXIMUM SPAN BETWEEN
LEGS – 48 INCHES

***APPROVED SHOP DRAWINGS REQUIRED
MEETS NSF 2014 STANDARDS**

1-862-226-9775 - SALES@HUDSONSG.COM