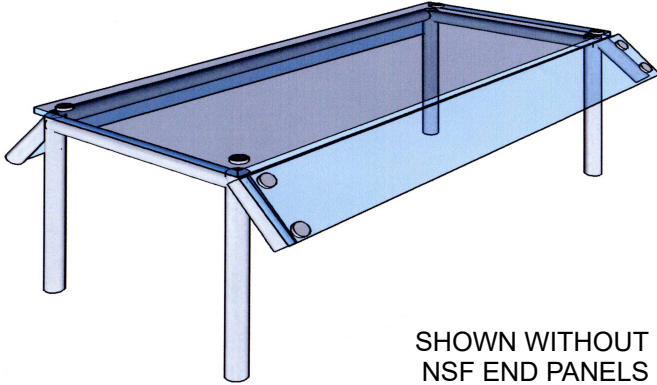


# HUDSON

ITEM \_\_\_\_\_  
LENGTH \_\_\_\_\_  
QTY \_\_\_\_\_



SHOWN WITHOUT  
NSF END PANELS

## SNEEZE GUARD DOUBLE SERVICE GLASS TOP ROUND TUBING MODEL SGD-R

### GENERAL DESCRIPTION

**TOP** - 1 -1/4" STAINLESS STEEL ROUND TUBING - ALL WELDED FRAME.

**FRAME** - 1-1/4" STAINLESS STEEL ROUND TUBING. POSTS TO HAVE TABS WELDED WITH STUDS TO SECURE GLASS WITH DECORATIVE STUDS. ADDITIONAL UPRIGHT IS NEEDED FOR UNITS OVER 48". CONCEALED MOUNTING CLIPS.

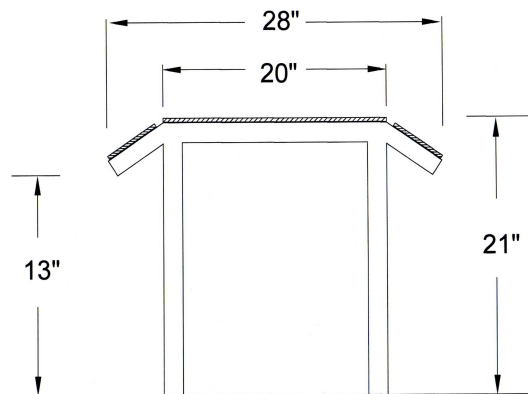
**GLASS** - 1/4" PLATE GLASS SNEEZE GUARD. 3/8" PLATE GLASS TOPS.

### OPTIONS

- |   |   |
|---|---|
| <input type="checkbox"/> STAINLESS STEEL - BRUSHED _____ MIRROR _____ | <input type="checkbox"/> TOP - GRANITE - 3/4" _____ MARBLE 3/4" _____ |
| <input type="checkbox"/> POWDER COAT - COLOR _____                    | <input type="checkbox"/> TOP - SILESTONE / ZODIAQ _____               |
| <input type="checkbox"/> BRASS - BRUSHED _____ MIRROR _____           | <input type="checkbox"/> NAME TAGS                                    |
| <input type="checkbox"/> ALUMINUM - BRUSHED _____ MIRROR _____        | <input type="checkbox"/> TEMPERED GLASS                               |
| <input type="checkbox"/> LOW IRON CLEAR GLASS                         | <input type="checkbox"/> END PANELS - NSF                             |
| <input type="checkbox"/> SPECIAL WIDTH - _____                        | <input type="checkbox"/> SPECIAL HEIGHT _____                         |
| <input type="checkbox"/> MOUNTING - ABOVE COUNTER TOP                 | <input type="checkbox"/> MOUNTING - BELOW COUNTER TOP                 |

### LIGHT/WARMER OPTIONS

- FLOURESCENT LIGHT - SLIMLINE     LED LIGHT - SLIMLINE     HEAT/LIGHT COMBO SLIMLINE



SECTION

MAXIMUM SPAN BETWEEN  
LEGS - 48 INCHES

**\*APPROVED SHOP DRAWINGS REQUIRED  
MEETS NSF 2014 STANDARDS**