

SHOWN WITHOUT
NSF END PANELS

**ADJUSTABLE SNEEZE
 GUARD
 SELF SERVICE
 ULTRA SPAN
 MODEL SGA - US**

**MAXIMUM SPAN BETWEEN
 LEGS ON COUNTER - 170"**

FRONT POST NOT
REQUIRED IF MOUNTED
BELOW COUNTER TOP

GENERAL DESCRIPTION

TUBING - STAINLESS STEEL - 1-1/2" X 1" - BRUSHED FINISH

GLASS - TOP 3/8" TEMPERED - SNEEZE GUARD 1/4" TEMPERED

→ **SNEEZE GUARD TO SLIDE INTO TOP FOR CLEANING**

ENDS - 3/8" TEMPERED GLASS - FOR NSF

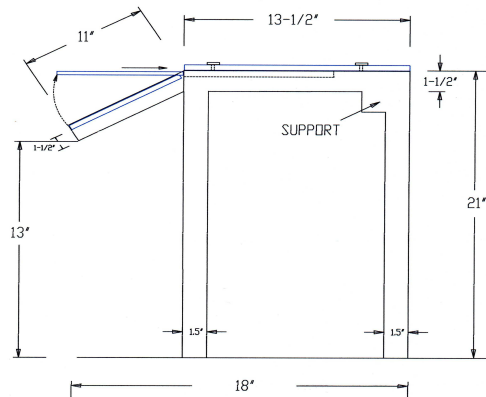
MOUNTING - BELOW OR ABOVE COUNTER WITH CONCEALED CLIPS

OPTIONS

- | | |
|---|---|
| <input type="checkbox"/> STAINLESS STEEL - BRUSHED _____ MIRROR _____ | <input type="checkbox"/> TOP - GRANITE - 3/4" _____ MARBLE 3/4" _____ |
| <input type="checkbox"/> POWDER COAT - COLOR _____ | <input type="checkbox"/> TOP - SILESTONE / ZODIAQ _____ |
| <input type="checkbox"/> BRASS - BRUSHED _____ MIRROR _____ | <input type="checkbox"/> TOP - LEXAN _____ CORIAN _____ |
| <input type="checkbox"/> ALUMINUM - BRUSHED _____ MIRROR _____ | <input type="checkbox"/> TOP - TEMPERED GLASS 1/2" |
| <input type="checkbox"/> CHROME _____ | <input type="checkbox"/> SNEEZE GUARD - TEMPERED GLASS - 3/8" |
| <input type="checkbox"/> LOW IRON CLEAR GLASS | <input type="checkbox"/> END PANELS - NSF REQUIREMENT |
| <input type="checkbox"/> SPECIAL WIDTH - _____ | <input type="checkbox"/> SPECIAL HEIGHT - _____ |
| <input type="checkbox"/> MOUNTING - ABOVE COUNTER TOP | <input type="checkbox"/> MOUNTING - BELOW COUNTER TOP |

LIGHT/WARMER OPTIONS

- FLOURESCENT LIGHT - SLIMLINE LED LIGHT - SLIMLINE HEAT/LIGHT COMBO SLIMLINE



*APPROVED SHOP DRAWINGS REQUIRED

MEETS NSF 2014 STANDARDS

PATENT PENDING