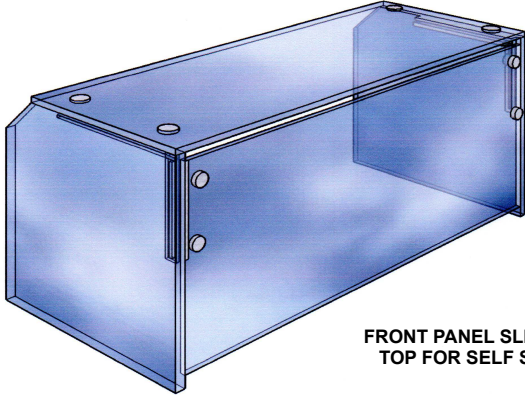


HUDSON

ITEM _____
LENGTH _____
QTY _____

ALL
GLASS



FRONT PANEL SLIDES INTO
TOP FOR SELF SERVICE

PROTECTOR CASE ADJUSTABLE FRONT FOR SELF SERVICE MODEL PC - S

GENERAL DESCRIPTION

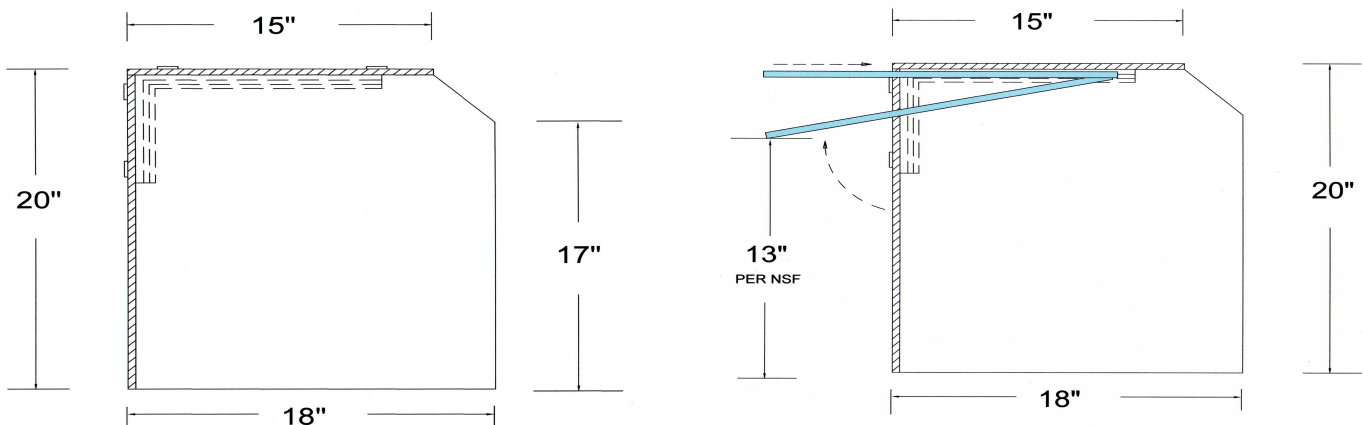
THE ALL GLASS PROTECTOR CASE IS MANUFACTURED BY HUDSON
CONSTRUCTED FROM CLEAR TEMPERED GLASS THAT IS BOLTED TOGETHER
WITH A MINIMUM OF HARDWARE (KNOCKED DOWN FOR SHIPPING)
FRONT GLASS PANEL WILL SLIDE INTO TOP FOR SELF SERVICE

OPTIONS

- | | |
|----------------------------------------------------------|------------------------------------------------------------|
| <input type="checkbox"/> GLASS - 3/8" - MAXIMUM SPAN 72" | <input type="checkbox"/> GLASS - 1/2" - MAXIMUM SPAN - 96" |
| <input type="checkbox"/> LOW IRON CLEAR GLASS | <input type="checkbox"/> FRONT GLASS - FROSTED |
| <input type="checkbox"/> BRONZE GLASS | <input type="checkbox"/> GRAY GLASS |
| <input type="checkbox"/> 10 DEGREE ANGLE FRONT | <input type="checkbox"/> GLASS - OTHER _____ |
| <input type="checkbox"/> SPECIAL WIDTH - _____ | <input type="checkbox"/> SPECIAL HEIGHT _____ |
| <input type="checkbox"/> MOUNTING - S/S CLAMPS | <input type="checkbox"/> MOUNTING - S/S CHANNEL |

LIGHT/WARMER OPTIONS

- FLOURESCENT LIGHT - SLIMLINE LED LIGHT - SLIMLINE HEAT/LIGHT COMBO SLIMLINE



*APPROVED SHOP DRAWINGS REQUIRED
MEETS NSF 2014 STANDARDS

PATENT
PENDING

1-862-226-9775 - SALES@HUDSONSG.COM