

**ADJUSTABLE  
 PROTECTOR CASE  
 SNEEZE GUARD COMBO  
 ULTRA SPAN  
 MODEL PCA - US**

**MAXIMUM SPAN BETWEEN  
 LEGS ON COUNTER - 170"**

SHOWN WITHOUT  
 NSF END PANELS

**GENERAL DESCRIPTION**

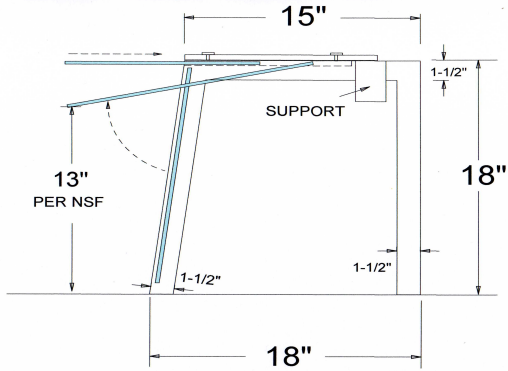
- TUBING - STAINLESS STEEL - 1-1/2" X 1" - BRUSHED FINISH**
- GLASS - TOP 3/8" TEMPERED - SNEEZE GUARD 1/4" TEMPERED**
- ➔ **FRONT PANEL TO SLIDE INTO TOP FOR SELF SERVICE**
- ENDS - 3/8" TEMPERED GLASS - FOR NSF**
- MOUNTING - BELOW OR ABOVE COUNTER WITH CONCEALED CLIPS**

**OPTIONS**

- |   |  |
|---|--|
| <input type="checkbox"/> STAINLESS STEEL - BRUSHED _____ MIRROR _____ | <input type="checkbox"/> TOP - GRANITE - _____ MARBLE _____  |
| <input type="checkbox"/> POWDER COAT - COLOR _____                    | <input type="checkbox"/> TOP - SILESTONE / ZODIAQ _____      |
| <input type="checkbox"/> BRASS - BRUSHED _____ MIRROR _____           | <input type="checkbox"/> FRONT GLASS - FROSTED               |
| <input type="checkbox"/> ALUMINUM - BRUSHED _____ MIRROR _____        | <input type="checkbox"/> TOP - TEMPERED GLASS - 1/2"         |
| <input type="checkbox"/> CHROME _____                                 | <input type="checkbox"/> FRONT PANEL - TEMPERED GLASS - 3/8" |
| <input type="checkbox"/> LOW IRON CLEAR GLASS                         | <input type="checkbox"/> END PANELS - NSF REQUIREMENT        |
| <input type="checkbox"/> SPECIAL WIDTH - _____ SPECIAL HEIGHT _____   | <input type="checkbox"/> 90 DEGREE FRONT ANGLE VS 10 DEGREES |
| <input type="checkbox"/> MOUNTING - ABOVE COUNTER TOP                 | <input type="checkbox"/> MOUNTING - BELOW COUNTER TOP        |

**LIGHT/WARMER OPTIONS**

- FLOURESCENT LIGHT - SLIMLINE     LED LIGHT - SLIMLINE     HEAT/LIGHT COMBO SLIMLINE



**\*APPROVED SHOP DRAWINGS REQUIRED**  
 MEETS NSF 2014 STANDARDS                      PATENT PENDING