

**VERTICAL SHIELD
WITH HINGED PLEXI
PANELS FOR ACCESS
MODEL VS-P-AV**

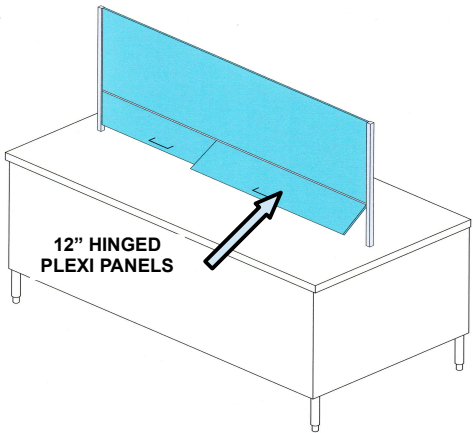
**HEIGHT OF SHIELD TO BE 40"
TO MEET 76" SUGGESTED
HEIGHT REQUIREMENTS
(COUNTER HEIGHT OF 36"
PLUS 40" = 76"**

GENERAL DESCRIPTION

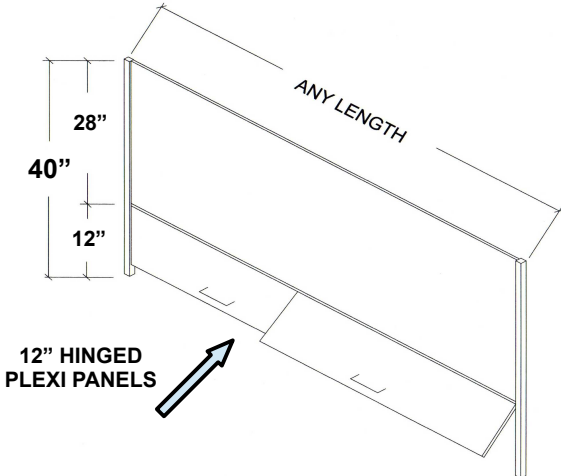
- TUBING** – STAINLESS STEEL – 1" SQUARE - BRUSHED FINISH
- GLASS** - 3/8" TEMPERED MOUNTED TO TUBING AND CROSS MEMBERS
- MOUNTING** - BELOW OR ABOVE COUNTER TOP
- PANELS** – 12" HIGH HINGED 3/8" PLEXI PANELS WITH S/S HANDLES FOR ACCESS

OPTIONS

- | | |
|---|---|
| <input type="checkbox"/> PLEXIGLASS | <input type="checkbox"/> SPECIAL WIDTH _____ SPECIAL HEIGHT _____ |
| <input type="checkbox"/> TUBING – 1" ROUND _____ OTHER _____ | <input type="checkbox"/> GLASS - FROSTED |
| <input type="checkbox"/> 8" CLEAR _____ OTHER _____ | <input type="checkbox"/> LOW IRON CLEAR GLASS |
| <input type="checkbox"/> CRATED | <input type="checkbox"/> POWDER COAT - COLOR _____ |
| <input type="checkbox"/> MOUNTING – ABOVE COUNTER TOP – FLANGES | <input type="checkbox"/> MOUNTING – BELOW COUNTER TOP |



MAXIMUM SPAN BETWEEN
LEGS – 48 INCHES



***APPROVED SHOP DRAWINGS REQUIRED
MEETS NSF 2014 STANDARDS**