

**PROTECTOR CASE
 WITH GLASS TOP
 MODEL PC-G**

GENERAL DESCRIPTION

TOP - 5/8" STAINLESS STEEL ALL WELDED TUBING FRAME

FRAME - 1-1/4" STAINLESS STEEL SQUARE TUBING. FRONT SLANTED AT 10 DEGREES. TO HAVE CLIPS FOR MOUNTING GLASS. ADDITIONAL UPRIGHT IS NEEDED FOR UNITS OVER 48". CONCEALED MOUNTING CLIPS

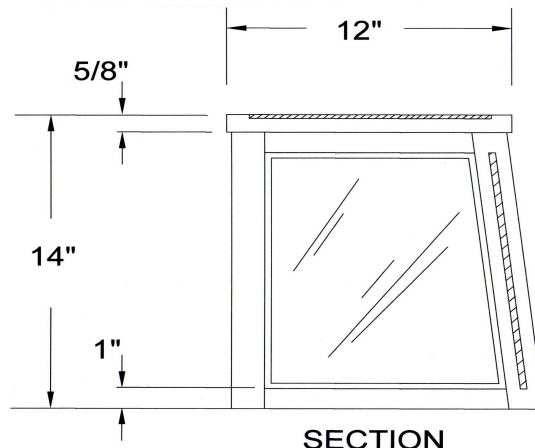
GLASS - 1/4" PLATE GLASS ENDS AND FRONT WITH MOUNTING CLIPS. 3/8" PLATE GLASS TOP. ALL GLASS TO HAVE STAINLESS STEEL CHANNELING ON ALL SIDES

OPTIONS

- | | |
|---|---|
| <input type="checkbox"/> STAINLESS STEEL - BRUSHED _____ MIRROR _____ | <input type="checkbox"/> TOP - GRANITE - 3/4" _____ MARBLE 3/4" _____ |
| <input type="checkbox"/> POWDER COAT - COLOR _____ | <input type="checkbox"/> TOP - SILESTONE / ZODIAQ _____ |
| <input type="checkbox"/> BRASS - BRUSHED _____ MIRROR _____ | <input type="checkbox"/> FRONT GLASS - FROSTED |
| <input type="checkbox"/> ALUMINUM - BRUSHED _____ MIRROR _____ | <input type="checkbox"/> TEMPERED GLASS |
| <input type="checkbox"/> LOW IRON CLEAR GLASS | <input type="checkbox"/> 90 DEGREE FRONT ANGLE VS 10 DEGREES |
| <input type="checkbox"/> SPECIAL WIDTH - _____ | <input type="checkbox"/> SPECIAL HEIGHT _____ |
| <input type="checkbox"/> MOUNTING - ABOVE COUNTER TOP | <input type="checkbox"/> MOUNTING - BELOW COUNTER TOP |

LIGHT/WARMER OPTIONS

- FLOURESCENT LIGHT - SLIMLINE LED LIGHT - SLIMLINE HEAT/LIGHT COMBO SLIMLINE



MAXIMUM SPAN BETWEEN LEGS - 48 INCHES

*APPROVED SHOP DRAWINGS REQUIRED
 MEETS NSF 2014 STANDARDS