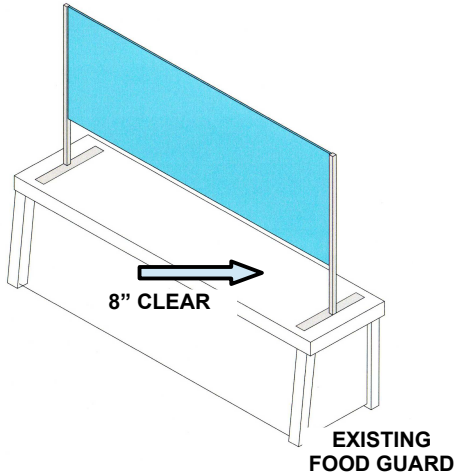


# HUDSON

## PREMIUM ANTI-VIRUS

ITEM \_\_\_\_\_  
LENGTH \_\_\_\_\_  
QTY \_\_\_\_\_

AV  
SERIES



### VERTICAL SHIELD PORTABLE OVER EXISTING FOOD GUARDS WITH ACCESS MODEL VS-PTCA-AV

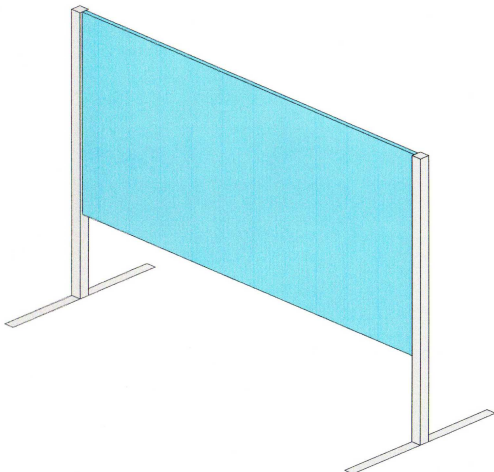
HEIGHT OF SHIELD TO BE 24"  
PROTECTING SERVER AND  
WITH AN 8" OPENING FOR  
PASS THRU

## GENERAL DESCRIPTION

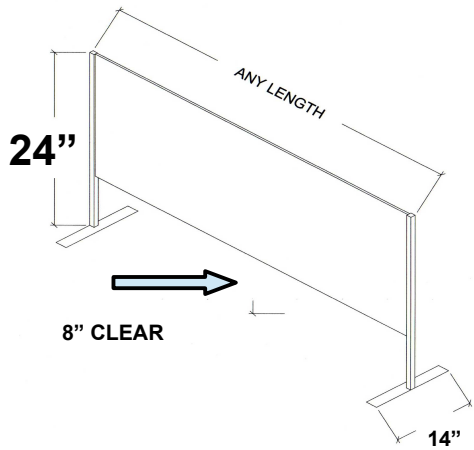
**TUBING** – STAINLESS STEEL – 1" SQUARE - BRUSHED FINISH  
**GLASS** - 3/8" TEMPERED MOUNTED TO TUBING AND CROSS MEMBERS  
**MOUNTING** – STAINLESS STEEL FLATBAR FOR PORTABILITY

## OPTIONS

- PLEXIGLASS
- TUBING – 1" ROUND \_\_\_\_\_ OTHER \_\_\_\_\_
- 6" CLEAR \_\_\_\_\_ OTHER \_\_\_\_\_
- CRATED
- MOUNTING – ABOVE COUNTER TOP – FLANGES
- SPECIAL WIDTH \_\_\_\_\_ SPECIAL HEIGHT \_\_\_\_\_
- GLASS - FROSTED
- LOW IRON CLEAR GLASS
- POWDER COAT - COLOR \_\_\_\_\_
- MOUNTING – BELOW COUNTER TOP



MAXIMUM SPAN BETWEEN  
LEGS – 48 INCHES



\*APPROVED SHOP DRAWINGS REQUIRED  
MEETS NSF 2014 STANDARDS

© 2020

**862-226-9775 - SALES@HUDSONSG.COM**