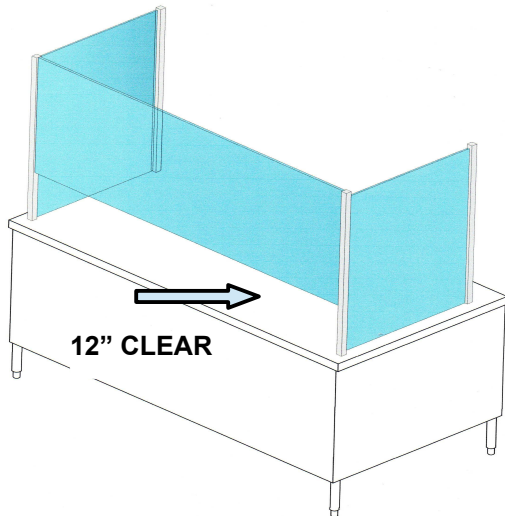


HUDSON

PREMIUM ANTI-VIRUS

ITEM _____
LENGTH _____
QTY _____

AV
SERIES



ENCLOSURE SURROUND WITH PASS THRU ACCESS - 12" MODEL ENCL-A-AV

HEIGHT OF SHIELD TO BE 40"
TO MEET 76" SUGGESTED
HEIGHT REQUIREMENTS
(COUNTER HEIGHT OF 36"
PLUS 40" = 76"

GENERAL DESCRIPTION

TUBING – STAINLESS STEEL – 1" SQUARE - BRUSHED FINISH

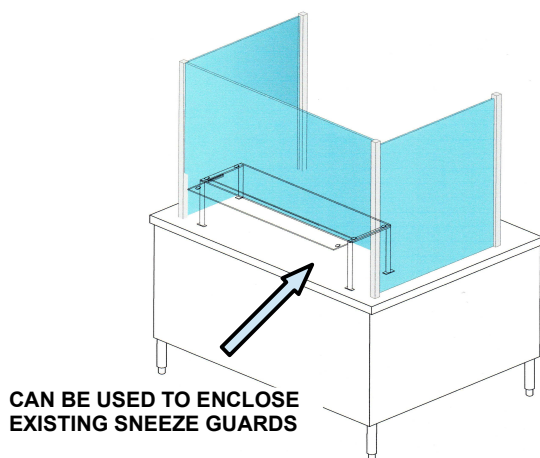
GLASS - 3/8" TEMPERED MOUNTED TO TUBING AND CROSS MEMBERS

MOUNTING - BELOW OR ABOVE COUNTER WITH CONCEALED CLIPS OR FLANGES

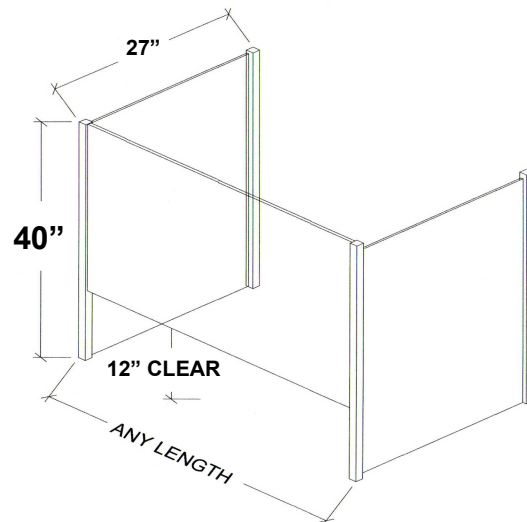
OPTIONS

- PLEXIGLASS
- TUBING – 1" ROUND _____ OTHER _____
- 8" CLEAR _____ OTHER _____
- CRATED_
- MOUNTING – ABOVE COUNTER TOP – FLANGES

- SPECIAL WIDTH _____ SPECIAL HEIGHT _____
- GLASS - FROSTED
- LOW IRON CLEAR GLASS
- POWDER COAT - COLOR _____
- MOUNTING – BELOW COUNTER TOP



MAXIMUM SPAN BETWEEN
LEGS – 48 INCHES



*APPROVED SHOP DRAWINGS REQUIRED
MEETS NSF 2014 STANDARDS

© 2020

862-226-9775 - SALES@HUDSONSG.COM