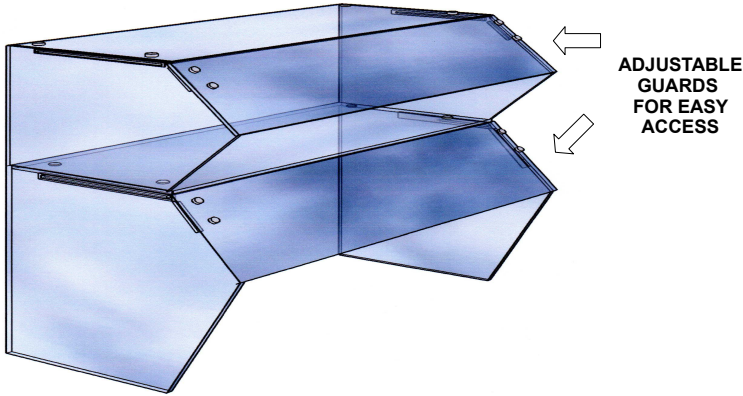


# HUDSON

ITEM \_\_\_\_\_  
LENGTH \_\_\_\_\_  
QTY \_\_\_\_\_

A  
L  
L  
G  
L  
A  
S  
S



## SNEEZE GUARD ADJUSTABLE GUARDS FOR EASY ACCESS MODEL SG2 - S

### GENERAL DESCRIPTION

THE ALL GLASS PROTECTOR CASE IS MANUFACTURED BY HUDSON, INC CONSTRUCTED FROM CLEAR TEMPERED GLASS THAT IS BOLTED TOGETHER WITH A MINIMUM OF HARDWARE ( KNOCKED DOWN FOR SHIPPING )  
FRONT GLASS PANELS WILL SLIDE INTO TOP FOR EASY ACCESS

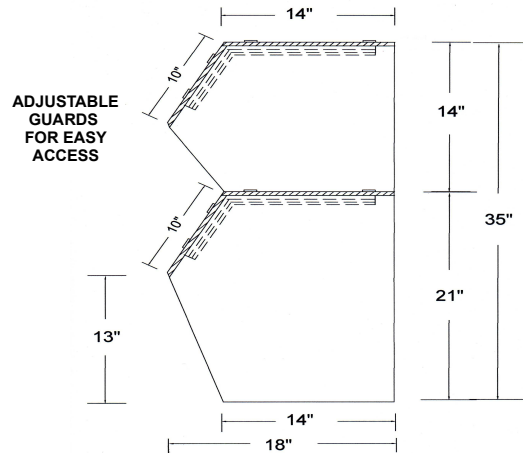
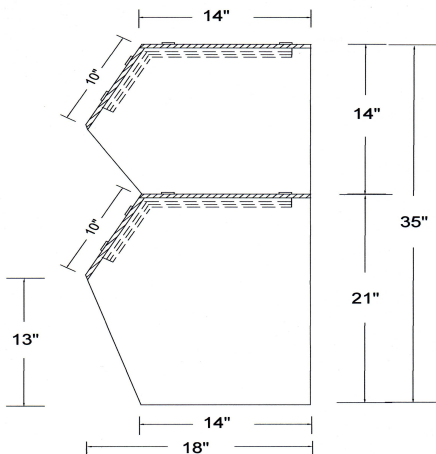
### OPTIONS

- GLASS - 3/8" - MAXIMUM SPAN 72"
- LOW IRON CLEAR GLASS
- BRONZE GLASS
- SPECIAL WIDTH - \_\_\_\_\_
- MOUNTING - S/S CLAMPS

- GLASS - 1/2" - MAXIMUM SPAN - 96"
- GRAY GLASS
- GLASS - OTHER \_\_\_\_\_
- SPECIAL HEIGHT \_\_\_\_\_
- MOUNTING - S/S CHANNEL

### LIGHT/WARMER OPTIONS

- FLOURESCENT LIGHT - SLIMLINE
- LED LIGHT - SLIMLINE
- HEAT/LIGHT COMBO SLIMLINE



\*APPROVED SHOP DRAWINGS REQUIRED  
MEETS NSF 2014 STANDARDS

PATENT  
PENDING

1-862-226-9775 - SALES@HUDSONSG.COM