

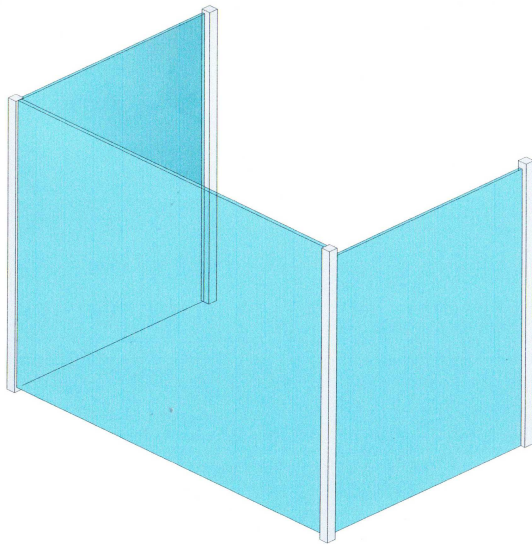
HUDSON

PREMIUM ANTI-VIRUS

ITEM _____
LENGTH _____
QTY _____

A
V

S
E
R
I
E
S



ENCLOSURE SURROUND MODEL ENCL-AV

HEIGHT OF SHIELD TO BE 40"
TO MEET 76" SUGGESTED
HEIGHT REQUIREMENTS
(COUNTER HEIGHT OF 36"
PLUS 40" = 76")

GENERAL DESCRIPTION

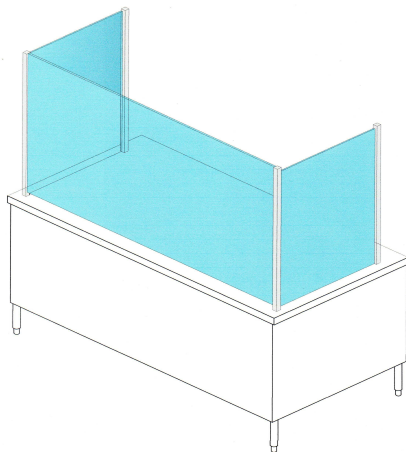
TUBING – STAINLESS STEEL – 1" SQUARE - BRUSHED FINISH

GLASS - 3/8" TEMPERED MOUNTED TO TUBING AND CROSS MEMBERS

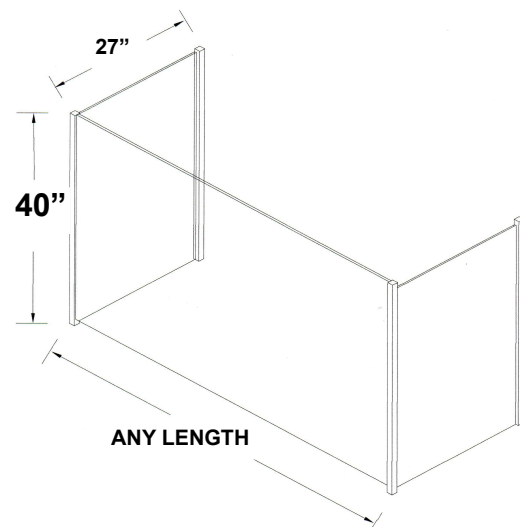
MOUNTING - BELOW OR ABOVE COUNTER WITH CONCEALED CLIPS OR FLANGES

OPTIONS

- | | |
|---|---|
| <input type="checkbox"/> PLEXIGLASS | <input type="checkbox"/> SPECIAL WIDTH _____ SPECIAL HEIGHT _____ |
| <input type="checkbox"/> TUBING – 1" ROUND _____ OTHER _____ | <input type="checkbox"/> GLASS - FROSTED |
| <input type="checkbox"/> BRASS - BRUSHED _____ MIRROR _____ | <input type="checkbox"/> LOW IRON CLEAR GLASS |
| <input type="checkbox"/> CRATED | <input type="checkbox"/> POWDER COAT - COLOR _____ |
| <input type="checkbox"/> MOUNTING – ABOVE COUNTER TOP – FLANGES | <input type="checkbox"/> MOUNTING – BELOW COUNTER TOP |



MAXIMUM SPAN BETWEEN
LEGS – 48 INCHES



*APPROVED SHOP DRAWINGS REQUIRED
MEETS NSF 2014 STANDARDS

© 2020

862-226-9775 - SALES@HUDSONSG.COM