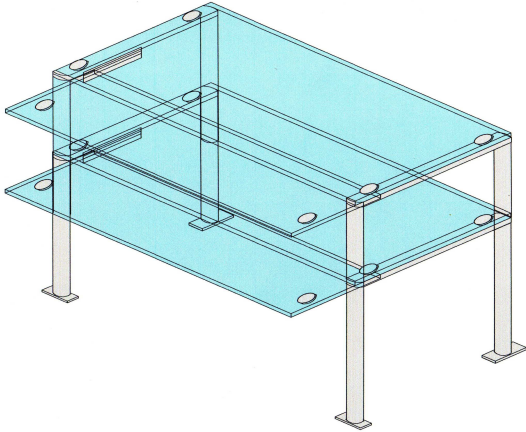


HUDSON

PREMIUM

ITEM _____
 LENGTH _____
 QTY _____

A
D
J
U
S
T
A
B
L
E



**ADJUSTABLE SNEEZE
 GUARD - TWO TIER
 SELF SERVICE
 MODEL SGA2-P**

SHOWN WITHOUT
 NSF END PANELS

GENERAL DESCRIPTION

TUBING - STAINLESS STEEL - 1" ROUND - BRUSHED FINISH

GLASS - TOP 3/8" TEMPERED - SNEEZE GUARD 1/4" TEMPERED

➡ **SNEEZE GUARD TO SLIDE INTO TOP FOR CLEANING**

ENDS - 3/8" TEMPERED GLASS - FOR NSF

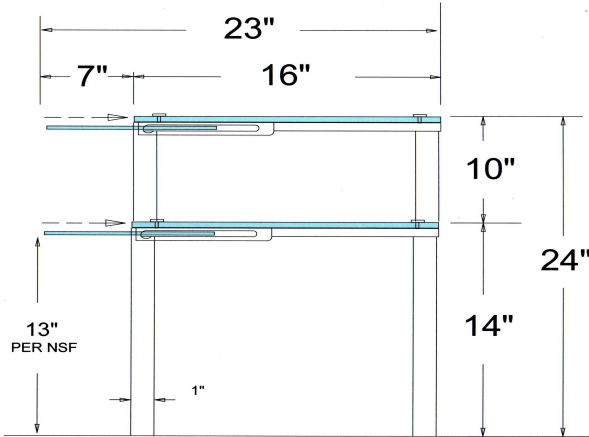
MOUNTING - BELOW OR ABOVE COUNTER WITH CONCEALED CLIPS

OPTIONS

- | | |
|---|---|
| <input type="checkbox"/> STAINLESS STEEL - BRUSHED _____ MIRROR _____ | <input type="checkbox"/> TOP - GRANITE - 3/4" _____ MARBLE 3/4" _____ |
| <input type="checkbox"/> TUBING - 1" SQUARE _____ OTHER _____ | <input type="checkbox"/> TOP - SILESTONE / ZODIAQ _____ |
| <input type="checkbox"/> BRASS - BRUSHED _____ MIRROR _____ | <input type="checkbox"/> TOP - LEXAN _____ CORIAN _____ |
| <input type="checkbox"/> ALUMINUM - BRUSHED _____ MIRROR _____ | <input type="checkbox"/> TOP - TEMPERED GLASS 1/2" |
| <input type="checkbox"/> POWDER COAT - COLOR _____ | <input type="checkbox"/> SNEEZE GUARD - TEMPERED GLASS - 3/8" |
| <input type="checkbox"/> LOW IRON CLEAR GLASS | <input type="checkbox"/> END PANELS - NSF REQUIREMENT |
| <input type="checkbox"/> SPECIAL WIDTH - _____ | <input type="checkbox"/> SPECIAL HEIGHT - _____ |
| <input type="checkbox"/> MOUNTING - ABOVE COUNTER TOP | <input type="checkbox"/> MOUNTING - BELOW COUNTER TOP |

LIGHT/WARMER OPTIONS

- FLOURESCENT LIGHT - SLIMLINE LED LIGHT - SLIMLINE HEAT/LIGHT COMBO SLIMLINE



MAXIMUM SPAN BETWEEN
 LEGS - 48 INCHES

*APPROVED SHOP DRAWINGS REQUIRED

MEETS NSF 2014 STANDARDS

PATENT PENDING

1-862-226-9775 - SALES@HUDSONSG.COM