

ADJUSTABLE
GUARDS
FOR EASY
ACCESS

**SNEEZE GUARD
 UV - BONDED
 ADJUSTABLE GUARDS
 FOR EASY ACCESS
 MODEL SGD - UV - A**

GENERAL DESCRIPTION

THE ALL GLASS PROTECTOR CASE IS MANUFACTURED BY HUDSON, INC
 CONSTRUCTED FROM CLEAR TEMPERED GLASS THAT IS IS UV BONDED
 CREATING A STRONG CLEAN SEAM.
FRONT GUARDS WILL SLIDE INTO TOP FOR EASY ACCESS

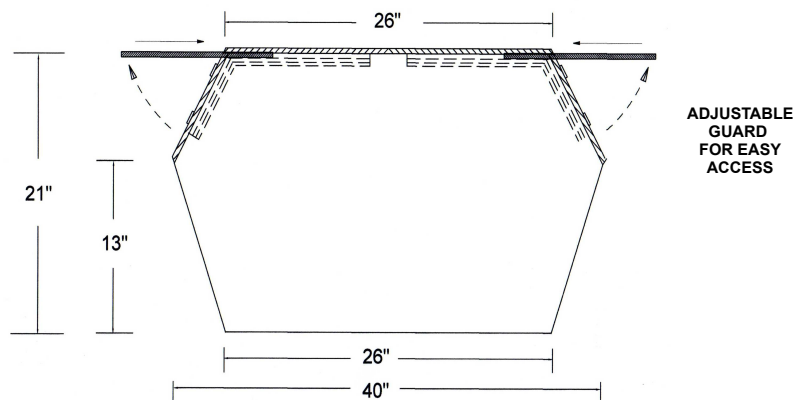
OPTIONS

- GLASS - 3/8" - MAXIMUM SPAN 72"
- LOW IRON CLEAR GLASS
- BRONZE GLASS
- SPECIAL WIDTH - _____
- MOUNTING - S/S CLAMPS

- GLASS - 1/2" - MAXIMUM SPAN - 96"
- GRAY GLASS
- GLASS - OTHER _____
- SPECIAL HEIGHT _____
- MOUNTING - S/S CHANNEL

LIGHT/WARMER OPTIONS

- FLOURESCENT LIGHT - SLIMLINE
- LED LIGHT - SLIMLINE
- HEAT/LIGHT COMBO SLIMLINE



*APPROVED SHOP DRAWINGS REQUIRED
 MEETS NSF 2014 STANDARDS

PATENT
 PENDING