

**PROTECTOR CASE
 WITH STAINLESS STEEL
 TOP
 MODEL PC-S**

GENERAL DESCRIPTION

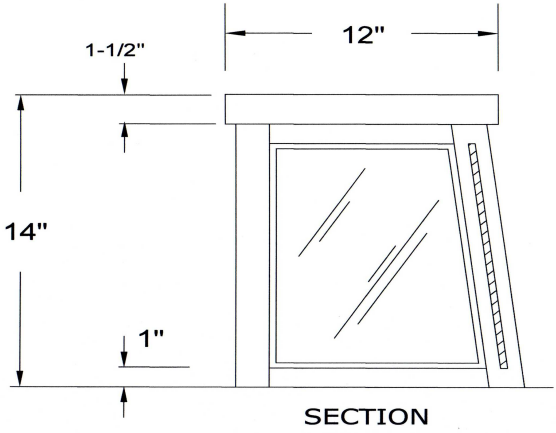
TOP - 16 GA STAINLESS STEEL WITH A #4 BRUSHED FINISH. FULLY WELDED WITH 1 1/2" CHANNEL EDGE
FRAME - 1-1/4" STAINLESS STEEL SQUARE TUBING. FRONT SLANTED AT 10 DEGREES. TO HAVE CLIPS FOR MOUNTING GLASS. ADDITIONAL UPRIGHT IS NEEDED FOR UNITS OVER 48". CONCEALED MOUNTING CLIPS
GLASS - FRONT AND END GLASS TO BE 1/4" PLATE GLASS WITH STAINLESS STEEL CHANNELING ON ALL SIDES.

OPTIONS

- STAINLESS STEEL - BRUSHED _____ MIRROR _____
- TOP - GRANITE - 3/4" _____ MARBLE 3/4" _____
- POWDER COAT - COLOR _____
- TOP - SILESTONE / ZODIAQ _____
- BRASS - BRUSHED _____ MIRROR _____
- FRONT GLASS - FROSTED
- ALUMINUM - BRUSHED _____ MIRROR _____
- TEMPERED GLASS
- LOW IRON CLEAR GLASS
- 90 DEGREE FRONT ANGLE VS 10 DEGREES
- SPECIAL WIDTH - _____
- SPECIAL HEIGHT _____
- MOUNTING - ABOVE COUNTER TOP
- MOUNTING - BELOW COUNTER TOP

LIGHT/WARMER OPTIONS

- FLOURESCENT LIGHT - SLIMLINE
- LED LIGHT - SLIMLINE
- HEAT/LIGHT COMBO SLIMLINE



MAXIMUM SPAN BETWEEN LEGS - 48 INCHES

*APPROVED SHOP DRAWINGS REQUIRED
 MEETS NSF 2014 STANDARDS